

PARTS LIST

WESTERBEKE

46

Marine Diesel Engine

15.0 BTD - 60 Hz

12.0 BTD - 50 Hz

Marine Diesel Generators

Publication # 34908

Edition Two

August 1991



*WESTERBEKE CORPORATION
MYLES STANDISH INDUSTRIAL PARK
150 JOHN HANCOCK ROAD, TAUNTON, MA 02780-7319*

PARTS LIST

WESTERBEKE

46

Marine Diesel Engine

15.0 BTD - 60 Hz

12.0 BTD - 50 Hz

Marine Diesel Generators

Publication # 34908

Edition Two

August 1991



*WESTERBEKE CORPORATION
MYLES STANDISH INDUSTRIAL PARK
150 JOHN HANCOCK ROAD, TAUNTON, MA 02780-7319*

IMPORTANT

PRODUCT SOFTWARE DISCLAIMER

Product software of all kinds, such as brochures, drawings, technical data, operator's and workshop manuals, parts lists and parts price lists, and other information, instructions and specifications provided from sources other than Westerbeke, is not within Westerbeke's control and; accordingly, is provided to Westerbeke customers only as a courtesy and service. **Westerbeke cannot be responsible for the content of such software, makes no warranties or representations with respect thereto, including the accuracy, timeliness or completeness thereof, and will in no event be liable for any type of damages or injury incurred in connection with, or arising out of, the furnishing or use of such software.**

For example, components and subassemblies incorporated in Westerbeke's products and supplied by others (such as engine blocks, fuel systems and components, transmissions, electrical components, pumps and other products) are generally supported by their manufacturers with their own software, and Westerbeke must depend on such software for the design of Westerbeke's own product software. Such software may be outdated and no longer accurate. Routine changes made by Westerbeke's suppliers, of which Westerbeke rarely has notice in advance, are frequently not reflected in the supplier's software until after such changes take place.

Westerbeke customers should also keep in mind the time span between printings of Westerbeke product software and the unavoidable existence of earlier, non-current, Westerbeke software editions in the field. Additionally, most Westerbeke products include customer-requested special features that frequently do not include complete documentation.

In summation, product software provided with Westerbeke products, whether from Westerbeke or other suppliers, must not and cannot be relied upon exclusively as the definitive authority on the respective product. It not only makes good sense but is imperative that appropriate representatives of Westerbeke or the supplier in question be consulted to determine the accuracy and currency of the product software being consulted by the customer.

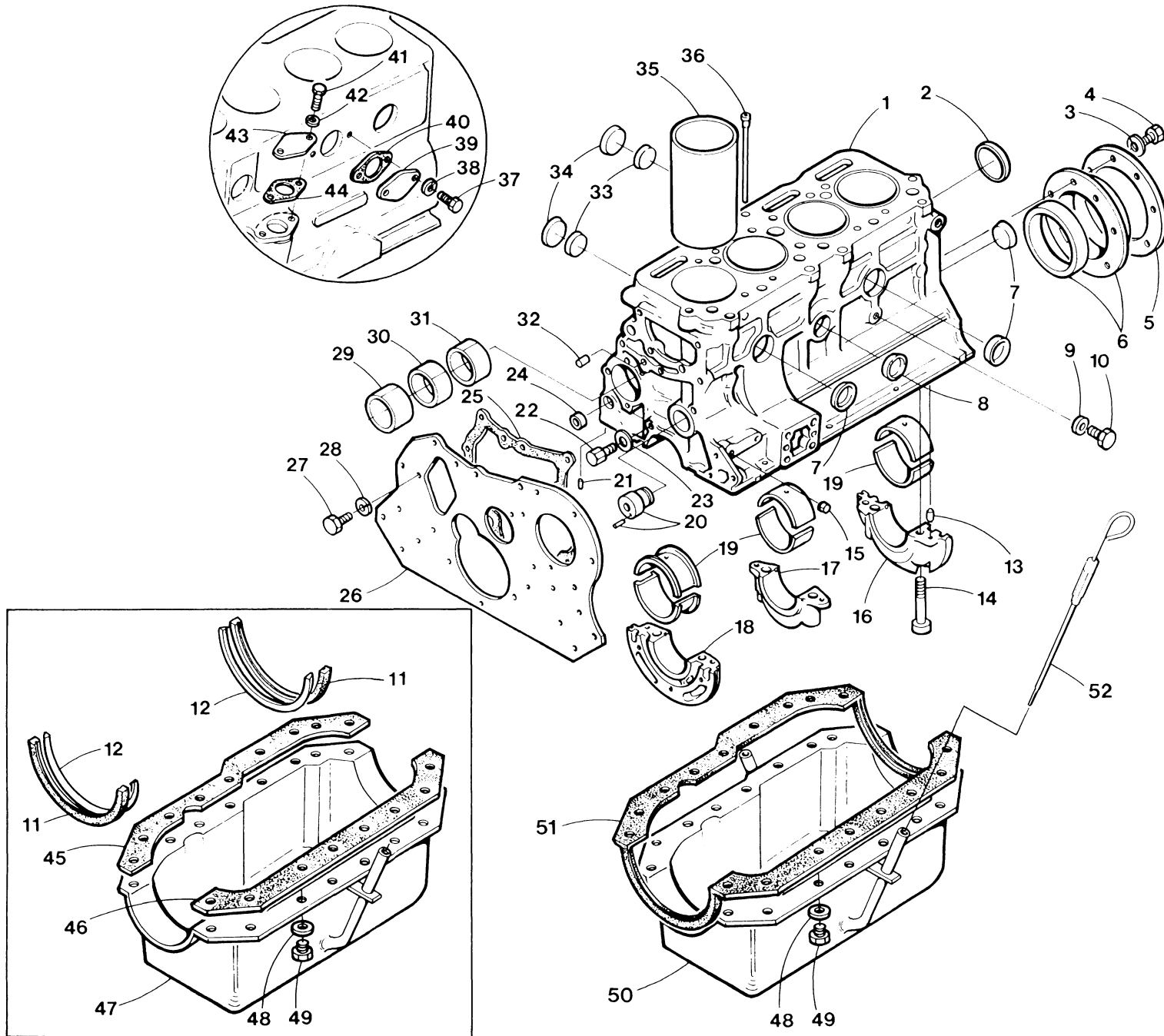
MODEL 46 PROPULSION ENGINE

15.0 BTD GENERATOR - 60 HERTZ

12.0 BTD GENERATOR - 50 HERTZ

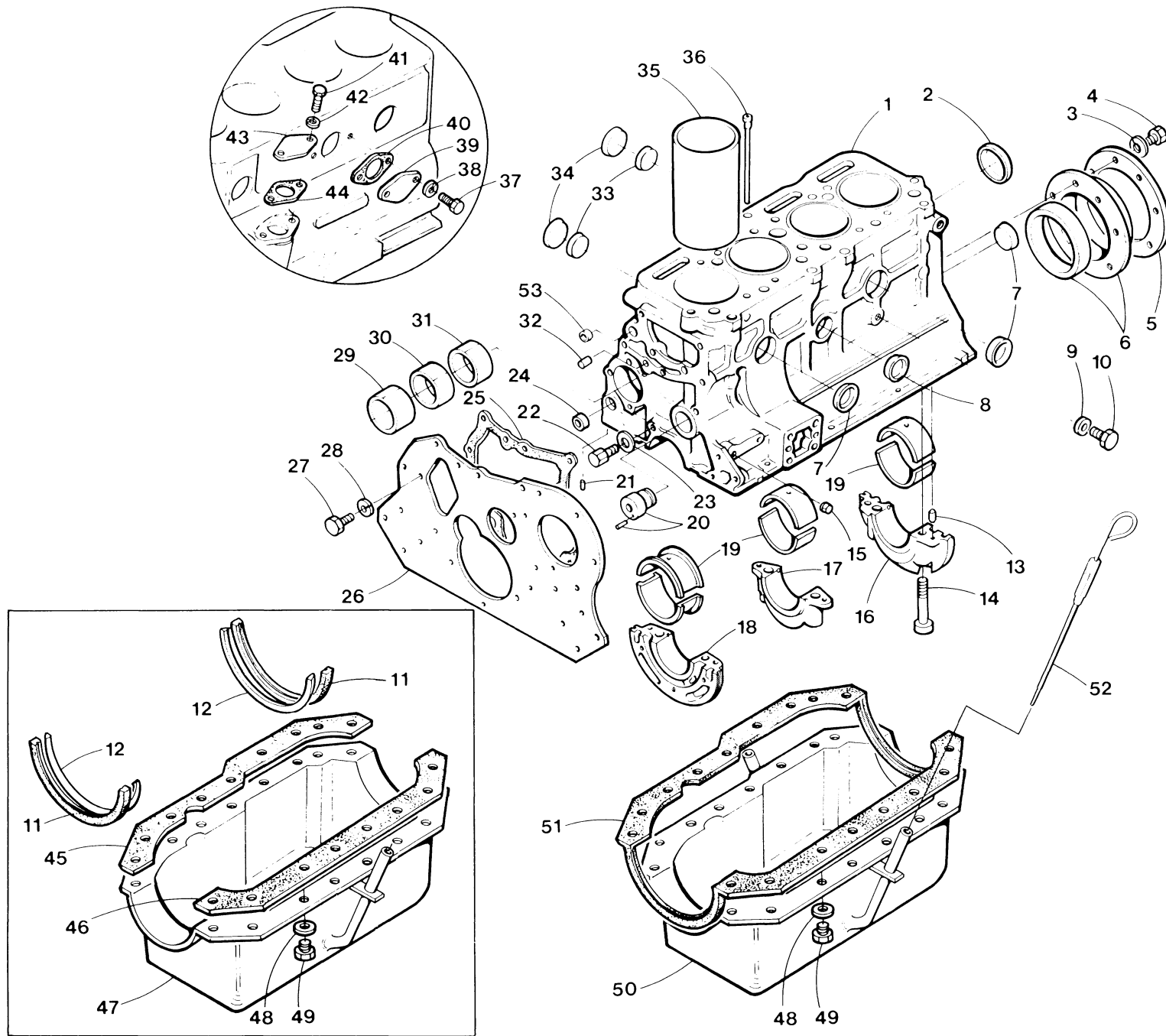
TABLE OF CONTENTS

PAGE	DESCRIPTION
100	CYLINDER BLOCK - SUMP
104	CYLINDER HEAD - INTAKE MANIFOLD
106	TIMING CASE - TIMING GEARS
108	CRANKSHAFT - PISTONS
110	VALVES - ROCKER SHAFT - CAMSHAFT
112	LUBRICATING OIL PUMP
114	PROPULSION OIL FILTER - SUMP DRAIN - FRONT RIGHT MOUNT
116	GENSET OIL FILTER - SUMP DRAIN - FRONT RIGHT MOUNT
116	OIL FILTER - OIL COOLER - LEFT FRONT PROPULSION MOUNT
118	COOLING SYSTEM
122	FRONT OPENING EXHAUST MANIFOLD
124	EXTRUDED EXHAUST MANIFOLD
126	SEA WATER PUMP
128	FRESH WATER PUMP
130	FUEL SYSTEM
136	PROPULSION BACK END - HBW TRANSMISSION - MOUNTING SYSTEM
140	WARNER HYDRAULIC TRANSMISSION
142	HBW TRANSMISSION SHIFTING BRACKET
144	ELECTRICAL SYSTEM
146	ALTERNATOR MOUNTING AND BELTS
148	GENSET BACK END - GENERATOR - MOUNTING SYSTEM
152	GENSET AC OUTPUT & REGULATOR - 1 PHASE
154	GENSET AC OUTPUT & REGULATOR - 3 PHASE
152	PROPULSION INSTRUMENT PANELS
158	GENSET CONTROL PANEL
160	STARTER MOTOR
162	GENSET SOUND GUARD
164	GENSET BELT GUARD
166	MISCELLANEOUS



WESTERBEKE 46 - 15.0 BTD - CYLINDER BLOCK - SUMP

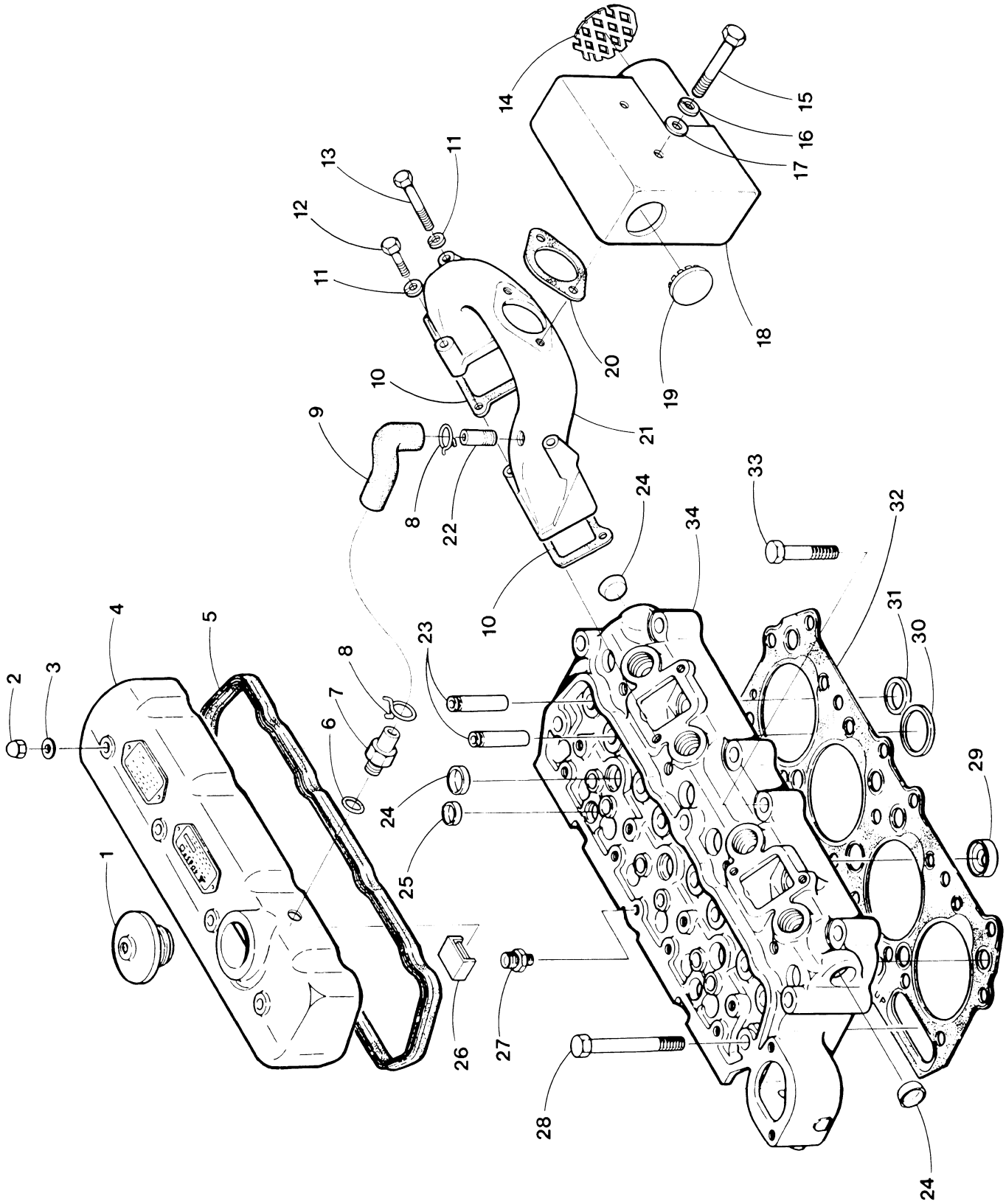
REF	PN	NAME	REMARKS	QUAN
1-1	034904	BLOCK	ASSEMBLY W46	1
1-2	037754	BLOCK	ASSEMBLY 15.0 BTD	1
2	034854	PLUG	EXPANSION 65 MM DIN 470	1
3	031783	LOCKWASHER	M 6 DIN 127	8
4	031810	CAPSCREW	M 6 X 14 DIN 933	8
5	034308	PLATE	OIL SEAL RETAINER	1
6	034309	SEAL	OIL-ASSEMBLY	1
7	033657	PLUG	EXPANSION 40 MM DIN 443	3
8	024349	PLUG	EXPANSION 35 MM DIN 443	1
9	034448	WASHER	SEALING	1
10	033704	CAPSCREW	M10 X 1.25 X 16 JIS-FL	1
11	034327	GASKET	TO S/N 157971	2
12	034328	RETAINER	GASKET TO S/N 157971	2
13	034905	DOWEL	MAIN BEARING CAP	6
14	034307	BOLT	MAIN BEARING CAP	6
15	019957	PLUG	1/8NPT STEEL SQ HEAD	3
16		CAP	REAR MAIN BEARING-SEE REF 1	1
17		CAP	CENTER MAIN BEARING-SEE REF 1	1
18		CAP	FRONT MAIN BEARING-SEE REF 1	1
19-1	034319	BEARING	SET MAIN STD	1
19-2	034320	BEARING	SET MAIN 0.25	1
19-3	034321	BEARING	SET MAIN 0.50	1
19-4	034322	BEARING	SET MAIN 0.75	1
20	034359	SHAFT	IDLER GEAR INCLUDING PIN	1
21	034314	PLUG	RUBBER FRONT & REAR CAP	2
22	034672	CAPSCREW	M 8 X 12 DIN 933	1
23	031786	LOCKWASHER	M 8 DIN 127	1
24	024369	PLUG	EXPANSION 20 MM DIN 443	2
25	034315	GASKET	FRONT PLATE TO BLOCK	1
26-1	034317	PLATE	FRONT TO S/N 156231	1
26-2	039119	PLATE	FRONT FROM S/N 156232	1
27	016789	CAPSCREW	M 8 X 16 DIN 933	2
28	031786	LOCKWASHER	M 8 DIN 127	3
29	034311	BUSHING	CAMSHAFT FRONT	1
30	034267	BUSHING	CAMSHAFT CENTER	1
31	034268	BUSHING	CAMSHAFT REAR	1
32	034316	DOWEL	BLOCK TO FRONT PLATE	2
33	024349	PLUG	EXPANSION 35 MM DIN 443 INTERNAL HOLE	2
34	030717	PLUG	EXPANSION 45 MM DIN 443	2
35-1	034312	LINER	CYLINDER STD	4
35-2	034313	LINER	CYLINDER OS	4
36	034366	LINE	OIL TO HEAD	1
37	016789	CAPSCREW	M 8 X 16 DIN 933	2
38	031786	LOCKWASHER	M 8 DIN 127	2
39	034310	COVER	CYLINDER BLOCK SIDE	1
40	034387	GASKET	COVER TO BLOCK	1



WESTERBEKE 46 - 15.0 BTD - CYLINDER BLOCK - SUMP

REF	PN	NAME	REMARKS	QUAN
41	017196	CAPSCREW	M 8 X 20 DIN 933	2
42	031786	LOCKWASHER	M 8 DIN 127	2
43	034266	COVER	ACCESSORY DRIVE	1
44	034360	GASKET	COVER TO BLOCK	1
45	034329	GASKET	SUMP RIGHT SIDE TO S/N 157971	1
46	034330	GASKET	SUMP LEFT SIDE TO S/N 157971	1
47	034331	SUMP	OIL TO S/N 157971	1
48-1	031786	LOCKWASHER	M 8 DIN 127	16
48-2	031787	WASHER	M 8 DIN 125	16
49-1	017196	CAPSCREW	M 8 X 20 DIN 933	14
49-2	013630	CAPSCREW	M 8 X 25 DIN 933	2
50	038333	SUMP	OIL FROM S/N 157972	1
51	038332	GASKET	SUMP FROM S/N 157972	1
52	038334	DIPSTICK	OIL FROM S/N 157972	2
53	037755	PLUG	EXPANSION 16 MM	1

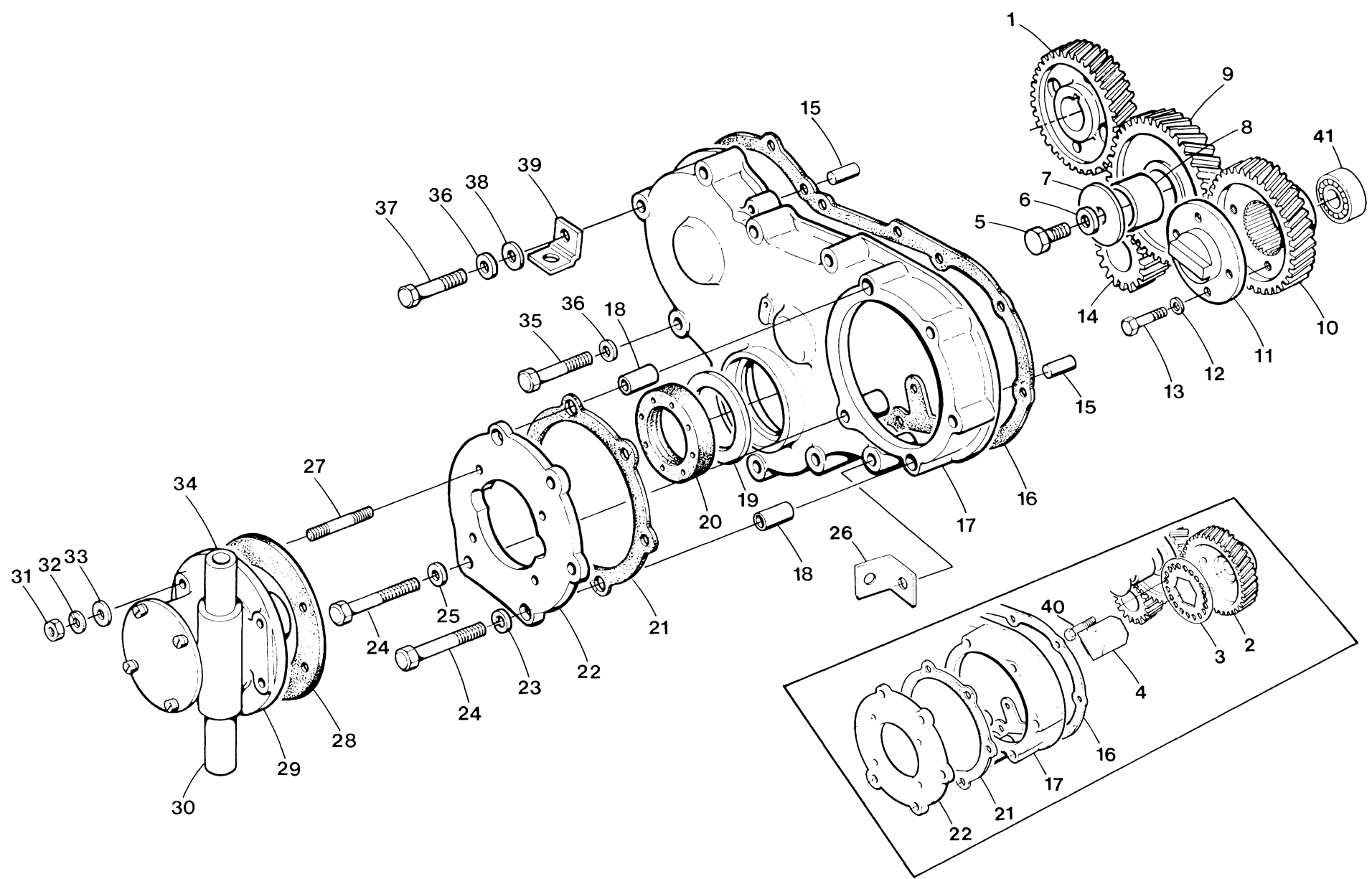
WESTERBEKE 46 - 15.0 BTD - CYLINDER HEAD - INTAKE MANIFOLD



WESTERBEKE 46 - 15.0 BTD - CYLINDER HEAD - INTAKE MANIFOLD

REF	PN	NAME	REMARKS	QUAN
1	030229	CAP	OIL FILLER	1
2	034301	NUT	CAP	4
3	034252	GASKET		4
4	034262	COVER	ROCKER INCL REF 6,7,26	1
5	034296	GASKET	ROCKER COVER	1
6	034255	WASHER	SEALING	1
7	034264	CONNECTOR	BREATHER	1
8	017298	CLAMP	HOSE	2
9	034909	HOSE	BREATHER	1
10	034027	GASKET	INTAKE MANIFOLD TO HEAD	2
11	031786	LOCKWASHER	M 8 DIN 127	4
12	024948	CAPSCREW	M 8 X 45 DIN 931	2
13	031815	CAPSCREW	M 8 X 95 DIN 931	2
14	030167	SCREEN	AIR INTAKE SILENCER	1
15-1	031589	CAPSCREW	5/16NF X 3-1/4 TO MAY 86	2
15-2	031813	CAPSCREW	M 8 X 80 DIN 931 FROM MAY 86	2
16-1	031758	LOCKWASHER	5/16 TO MAY 86	2
16-2	031786	LOCKWASHER	M 8 DIN 127 FROM MAY 86	2
17-1	031759	WASHER	FLAT 5/16 TO MAY 86	2
17-2	031787	WASHER	M 8 DIN 125 FROM MAY 86	2
18	034021	SILENCER	INTAKE INCL SCREEN AND PLUG	1
19	031145	PLUG	BUTTON 1-3/8	1
20	034023	GASKET	SILENCER TO MANIFOLD	1
21	034032	MANIFOLD	INTAKE	1
22	016690	NIPPLE	BREATHER HOSE	1
23	034282	GUIDE	VALVE	8
24	024373	PLUG	EXPANSION 25 MM DIN 443	10
25	024369	PLUG	EXPANSION 20 MM DIN 443	6
26	034263	DEFLECTOR	BREATHER CONNECTION	1
27	034254	CONNECTOR	OIL LINE TO ROCKER SHAFT	1
28	033637	BOLT	CYLINDER HEAD-LONG	13
29-1	034287	INSERT	COMBUSTION STD TO S/N 159664	4
29-2	034288	INSERT	COMBUSTION OS TO S/N 159664	4
29-3	038827	INSERT	COMBUSTION STD FROM S/N 159665	4
30	034284	SEAT	INTAKE VALVE	4
31	034285	SEAT	EXHAUST VALVE	4
32	034283	GASKET	CYLINDER HEAD	1
33	034258	BOLT	CYLINDER HEAD-SHORT	4
34-1	034286	HEAD	CYLINDER INCL SEATS/GUIDES TO S/N 159664	1
34-2	038826	HEAD	CYLINDER INCL SEATS/GUIDES FR S/N 159665	1

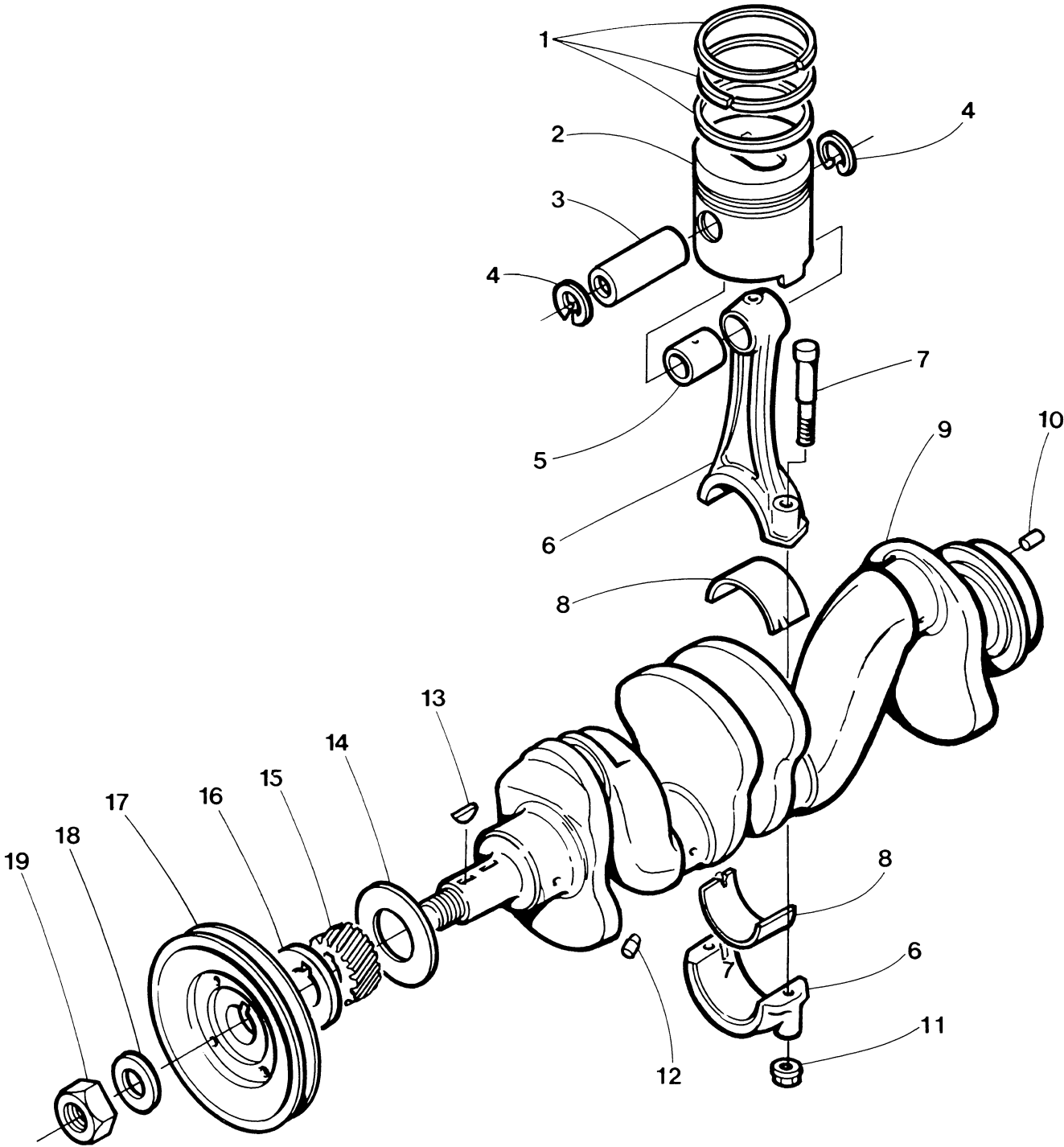
WESTERBEKE 46 - 15.0 BTD - TIMING CASE - TIMING GEARS



WESTERBEKE 46 - 15.0 BTD - TIMING CASE - TIMING GEARS

REF	PN	NAME	REMARKS	QUAN
1	034355	GEAR	CAMSHAFT	1
2	034358	GEAR	INJECTION PUMP DRIVE TO OCT 85	1
3	034003	PLATE	PUMP DRIVE TANG LOCKING TO OCT 85	1
4	034000	TANG	SEA PUMP DRIVE TO OCT 85	1
5	024951	CAPSCREW	M10 X 1.25 X 20 DIN 961	1
6	019262	LOCKWASHER	M10 DIN 127	1
7	034269	PLATE	THRUST	1
8-1	034357	BUSHING	IDLER GEAR TO S/N 153548	1
8-2	037757	BUSHING	IDLER GEAR FROM S/N 153549	1
9	034356	GEAR	IDLER INCLUDING BUSHING	1
10	036167	GEAR	INJECTION PUMP DRIVE	1
11	036166	COUPLING	SEA WATER PUMP DRIVE	1
12	031786	LOCKWASHER	M 8 DIN 127	4
13	017196	CAPSCREW	M 8 X 20 DIN 933	4
14	034354	GEAR	CRANKSHAFT	1
15	034316	DOWEL	BLOCK TO TIMING CASE	2
16	034325	GASKET	TIMING COVER	1
17	034326	COVER	TIMING	1
18	035330	DOWEL	TUBULAR	2
19	034323	PLATE	OIL SEAL	1
20	034324	SEAL	OIL	1
21	034001	GASKET	ADAPTER TO TIMING COVER	1
22	035266	ADAPTER	SEA WATER PUMP TO TIMING COVER	1
23	031786	LOCKWASHER	M 8 DIN 127	4
24	031225	CAPSCREW	M 8 X 60 DIN 931	5
25	030289	WASHER	SEALING-OIL	1
26	035328	BRACKET	BELT GUARD 15.0 BTD	1
27	034007	STUD	SEA WATER PUMP TO ADAPTER	4
28	011143	GASKET	SEA WATER PUMP TO ADAPTER	1
29	016423	PUMP	SEA WATER	1
30	036618	NIPPLE	1/2NPT TO 1" HOSE	1
31	031760	NUT	5/16NF	4
32	031758	LOCKWASHER	5/16	4
33	031759	WASHER	FLAT 5/16	4
34	032230	NIPPLE	1/2NPT TO 7/8" HOSE	1
35	024949	CAPSCREW	M 8 X 50 DIN 931	8
36	031786	LOCKWASHER	M 8 DIN 127	9
37	024948	CAPSCREW	M 8 X 45 DIN 931	1
38	031787	WASHER	M 8 DIN 125	1
39	024922	BRACKET	SUMP DRAIN HOSE	1
40	034004	SCREW	SHOULDER, LOCK PLATE TO OCT 85	2
41	036165	BEARING	BALL	1

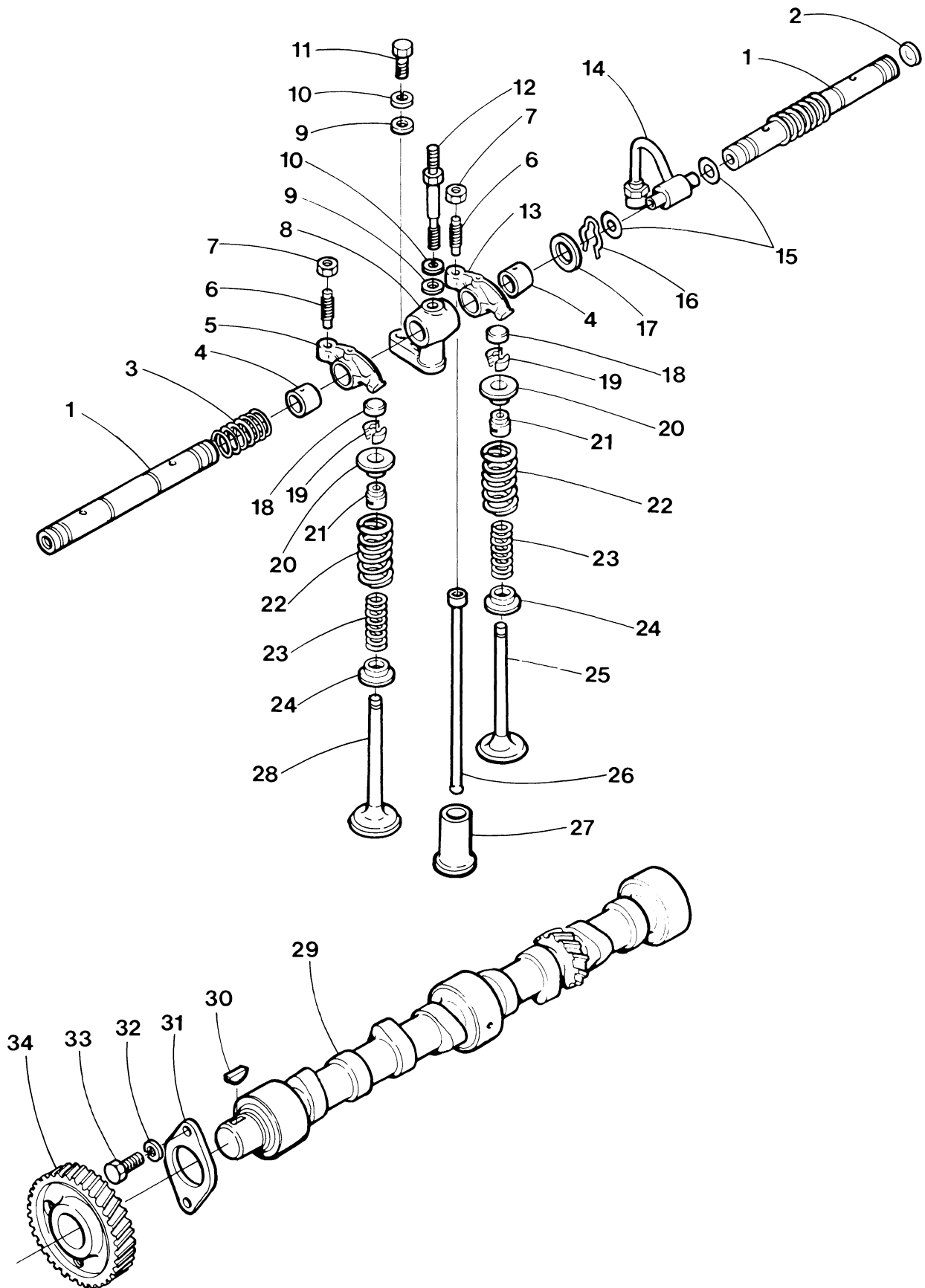
WESTERBEKE 46 - 15.0 BTD - CRANKSHAFT - PISTONS



WESTERBEKE 46 - 15.0 BTD - CRANKSHAFT - PISTONS

REF	PN	NAME	REMARKS	QUAN
1-1	034338	RING SET	STD-ENGINE SET	1
1-2	034339	RING SET	0.25MM ENGINE SET	1
1-3	034340	RING SET	0.50 MM ENGINE SET	1
1-4	034341	RING SET	0.75 MM ENGINE SET	1
2-1	034334	PISTON	STD TO S/N 159664	4
2-2	034335	PISTON	0.25MM TO S/N 159664	4
2-3	034336	PISTON	0.50 MM TO S/N 159664	4
2-4	034337	PISTON	0.75 MM TO S/N 159664	4
2-5	038828	PISTON	STD FROM S/N 159665	4
2-6	038829	PISTON	0.25 MM FROM S/N 159665	4
2-7	038830	PISTON	0.50 MM FROM S/N 159665	4
2-8	038831	PISTON	0.75 MM FROM S/N 159665	4
3	034333	PIN	PISTON	4
4	034332	SNAPRING	PISTON PIN	8
5	034342	BUSHING	CONNECTING ROD	4
6	034344	ROD	CONNECTING INCL REF 5-6-7-11	4
7	034345	BOLT	CONNECTING ROD	8
8-1	034346	BEARING	HALF-CONNECTING ROD STD	8
8-2	034347	BEARING	HALF-CONNECTING ROD 0.25MM	8
8-3	034348	BEARING	HALF-CONNECTING ROD 0.50MM	8
8-4	034349	BEARING	HALF-CONNECTING ROD 0.75MM	8
9	034353	CRANKSHAFT		1
10	034898	DOWEL		2
11	034343	NUT	CONNECTING ROD BOLT	8
12		PLUG	INCLUDED IN CRANKSHAFT	4
13	034855	KEY	WOODRUFF	2
14	034350	PLATE	THRUST	1
15	034354	GEAR	CRANKSHAFT	1
16	034351	SLINGER	CRANKSHAFT	1
17	034352	PULLEY	CRANKSHAFT	1
18	034390	WASHER	CRANKSHAFT PULLEY	1
19	032174	NUT	M24 X 1.25 JAM	1

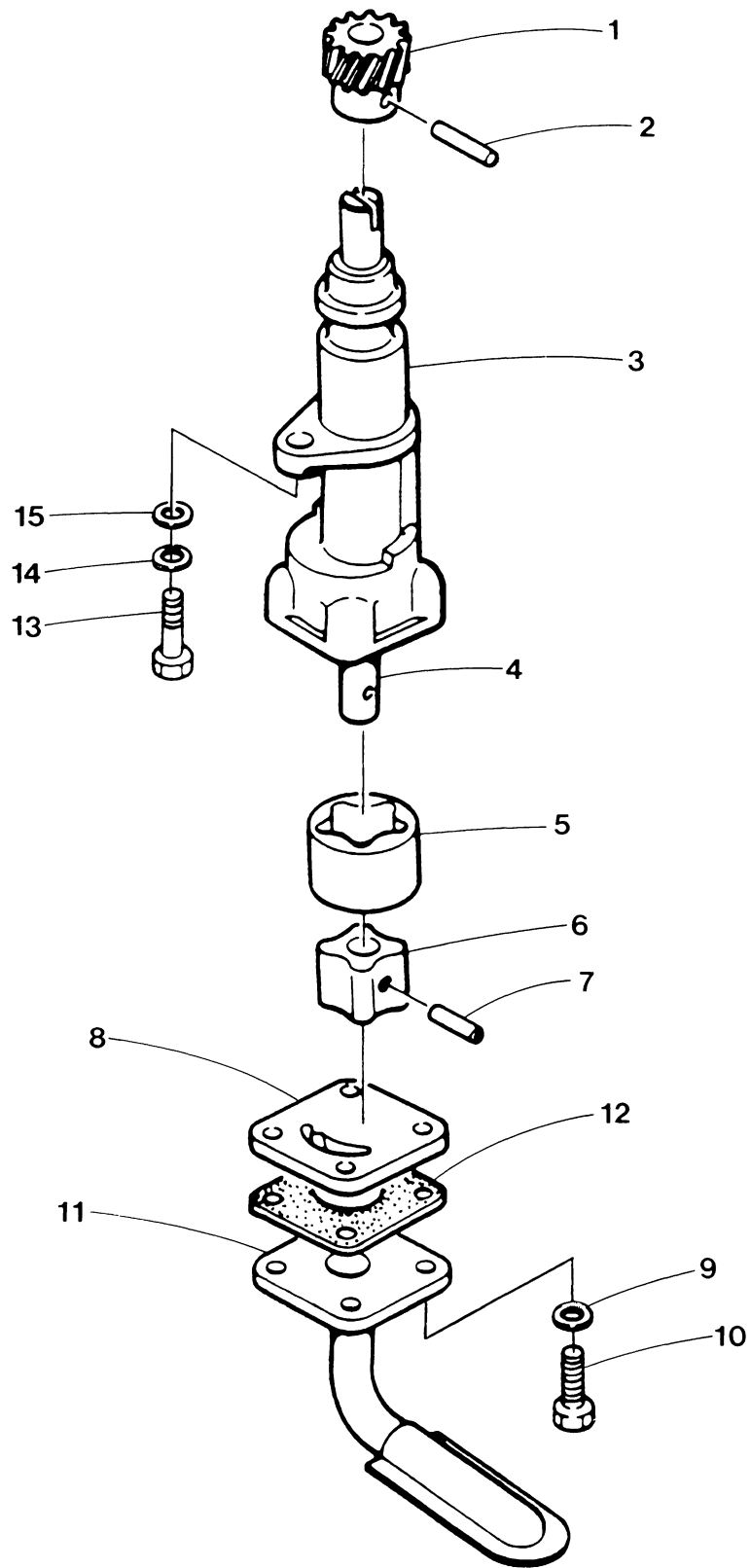
WESTERBEKE 46 - 15.0 BTD - VALVES - ROCKER SHAFT - CAMSHAFT



WESTERBEKE 46 - 15.0 BTD - VALVES - ROCKER SHAFT - CAMSHAFT

REF	PN	NAME	REMARKS	QUAN
1	034300	SHAFT	ROCKER INCL PLUG	2
2	034899	PLUG	EXPANSION	2
3	034289	SPRING	ROCKER SHAFT	2
4	034299	BUSHING	ROCKER	8
5	034302	ROCKER	INCL REF 4-6-7	4
6	034384	SCREW	ROCKER ADJUSTING	8
7	031802	NUT	M 8 JAM	8
8	034295	BRACKET	ROCKER SHAFT	4
9	031787	WASHER	M 8 DIN 125	8
10	031786	LOCKWASHER	M 8 DIN 127	8
11	013630	CAPSCREW	M 8 X 25 DIN 933	4
12	034261	BOLT	ROCKER COVER AND BRACKET	4
13	034303	ROCKER	INCL REF 4-6-7	4
14	034273	LINE	OIL TO ROCKER SHAFT	1
15	034271	O-RING		2
16	034259	SNAPRING		4
17	034260	WASHER		4
18	034383	CAP	VALVE	8
19	034382	COTTER	VALVE	16
20	034292	SEAT	VALVE SPRING UPPER	8
21	034294	SEAL	VALVE STEM	8
22	034290	SPRING	VALVE-OUTER	8
23	034291	SPRING	VALVE-INNER	8
24	034293	SEAT	VALVE SPRING LOWER	8
25	034298	VALVE	EXHAUST	4
26	034304	PUSHROD		8
27	034305	TAPPET		8
28	034297	VALVE	INTAKE	4
29	034306	CAMSHAFT		1
30	034855	KEY	WOODRUFF	1
31	034265	PLATE	CAMSHAFT THRUST	1
32	031786	LOCKWASHER	M 8 DIN 127	2
33	016789	CAPSCREW	M 8 X 16 DIN 933	2
34	034355	GEAR	CAMSHAFT	1

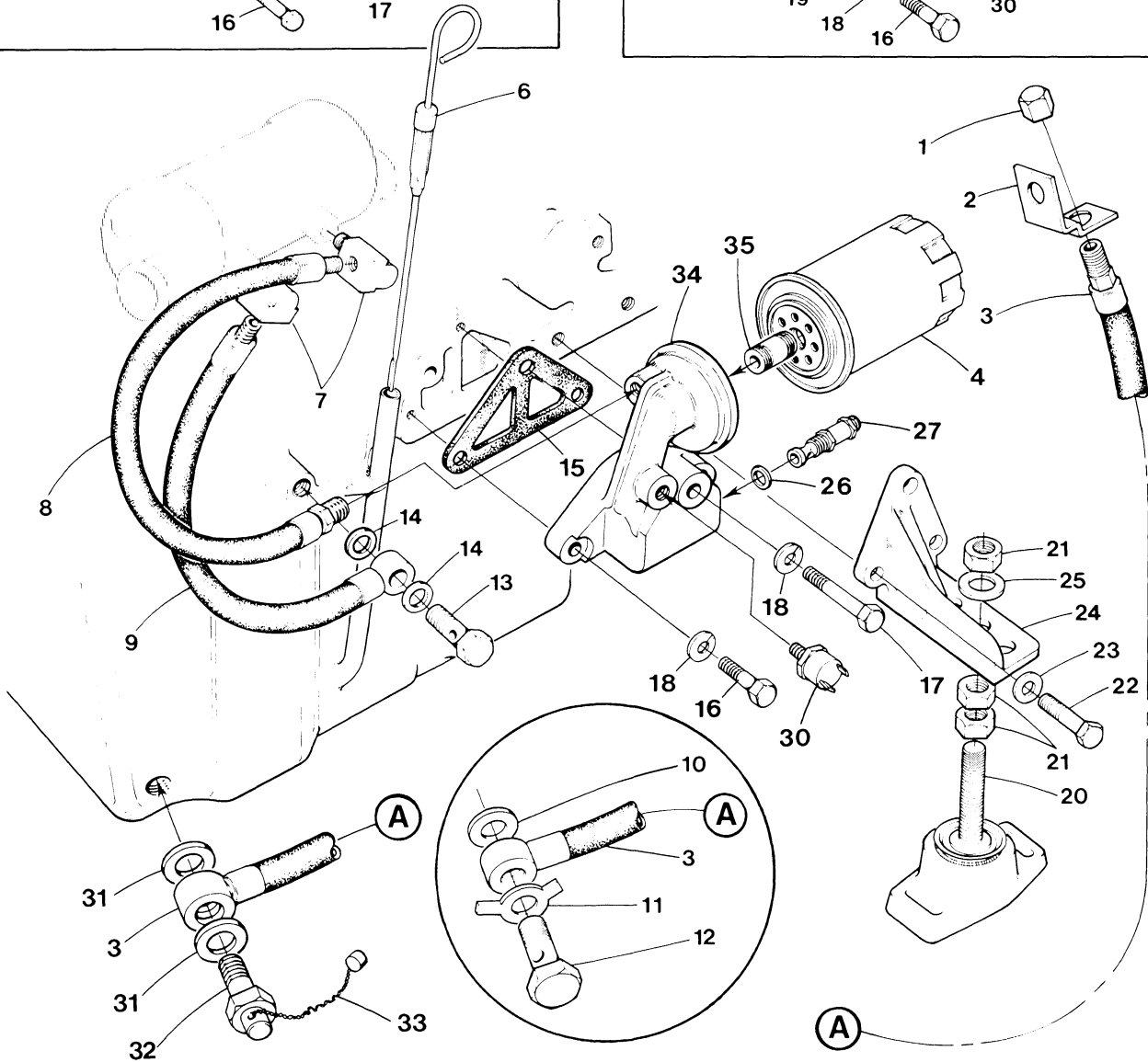
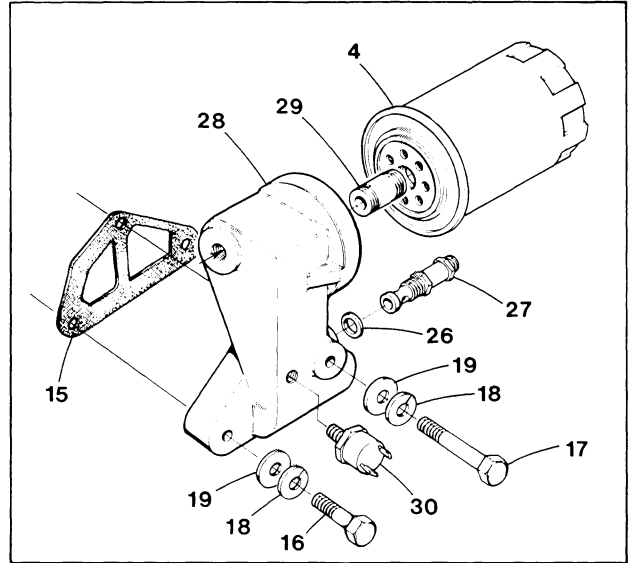
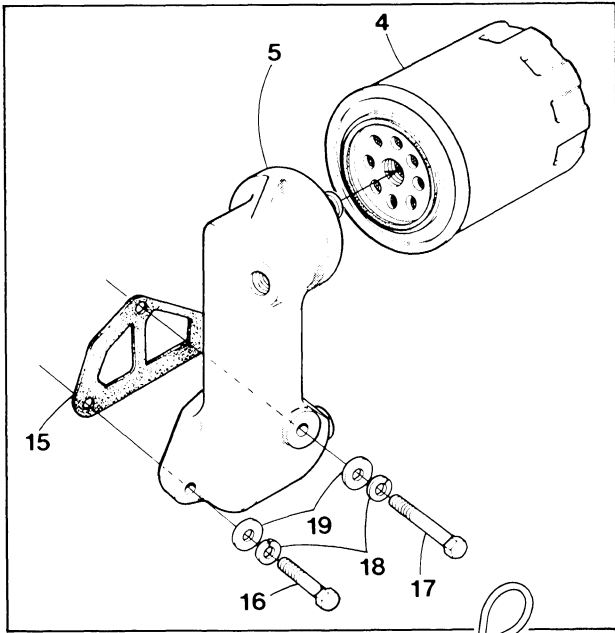
WESTERBEKE 46 - 15.0 BTD - LUBRICATING OIL PUMP



WESTERBEKE 46 - 15.0 BTD - LUBRICATING OIL PUMP

REF	PN	NAME	REMARKS	QUAN
1	034385	GEAR	OIL PUMP DRIVE	1
2	034386	PIN	DRIVE GEAR	1
3	034363	PUMP	LUBE OIL INCL REF 1 THRU 10	1
4	034364	SHAFT	ASSEMBLY INCL REF 5-6-7	1
5		ROTOR	OUTER-SEE REF 4	1
6		ROTOR	INNER-SEE REF 4	1
7		PIN	SEE REF 4	1
8	034270	COVER	OIL PUMP	1
9	031783	LOCKWASHER	M 6 DIN 127	4
10	018804	CAPSCREW	M 6 X 20 DIN 933	4
11	034365	STRAINER	OIL PICKUP	1
12	034272	GASKET	STRAINER TO PUMP	1
13	013630	CAPSCREW	M 8 X 25 DIN 933	1
14	031786	LOCKWASHER	M 8 DIN 127	1
15	031787	WASHER	M 8 DIN 125	1

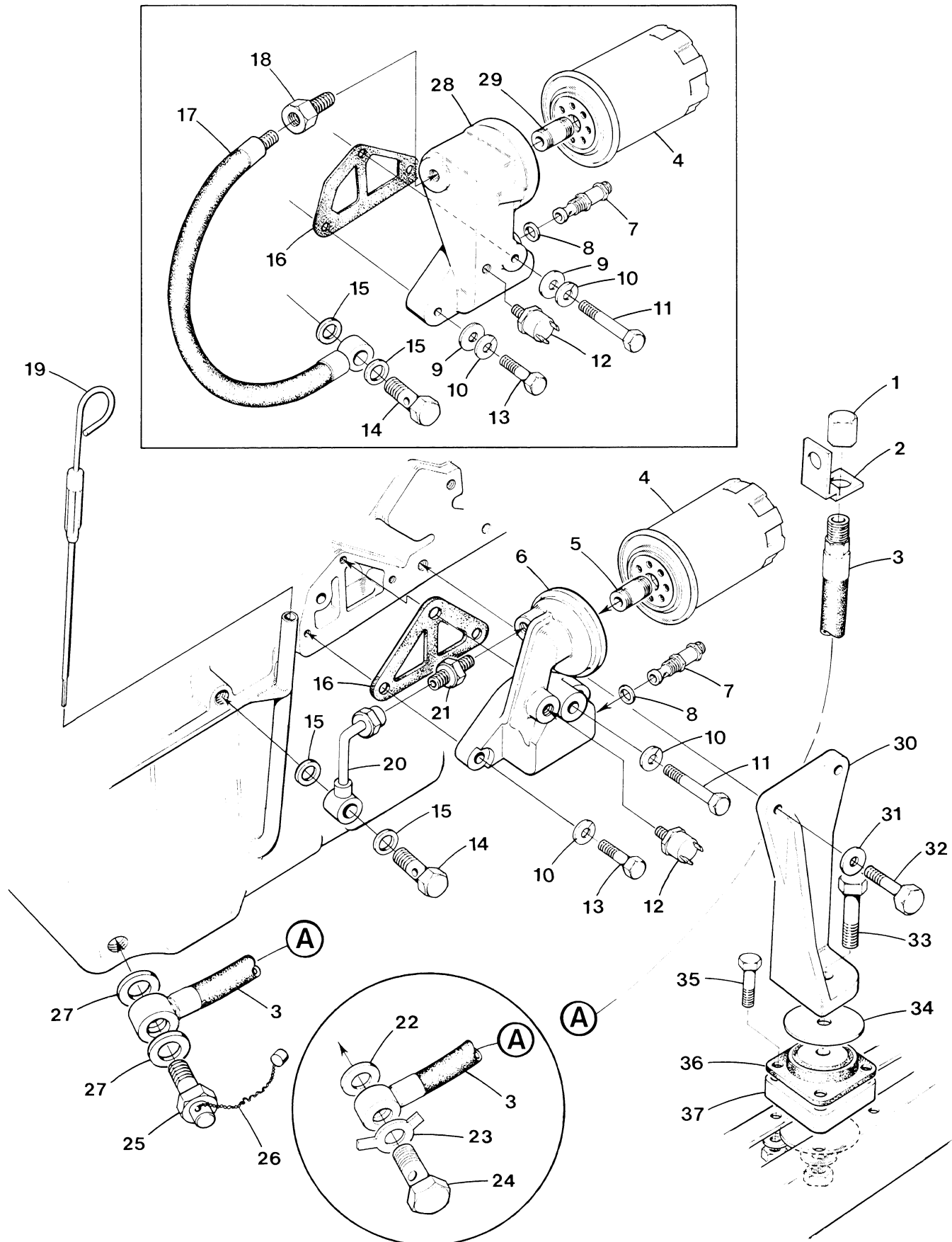
WESTERBEKE 46 - OIL FILTER & LINES - SUMP DRAIN - FRONT RIGHT MOUNT



WESTERBEKE 46 - OIL FILTER & LINES - SUMP DRAIN - FRONT RIGHT MOUNT

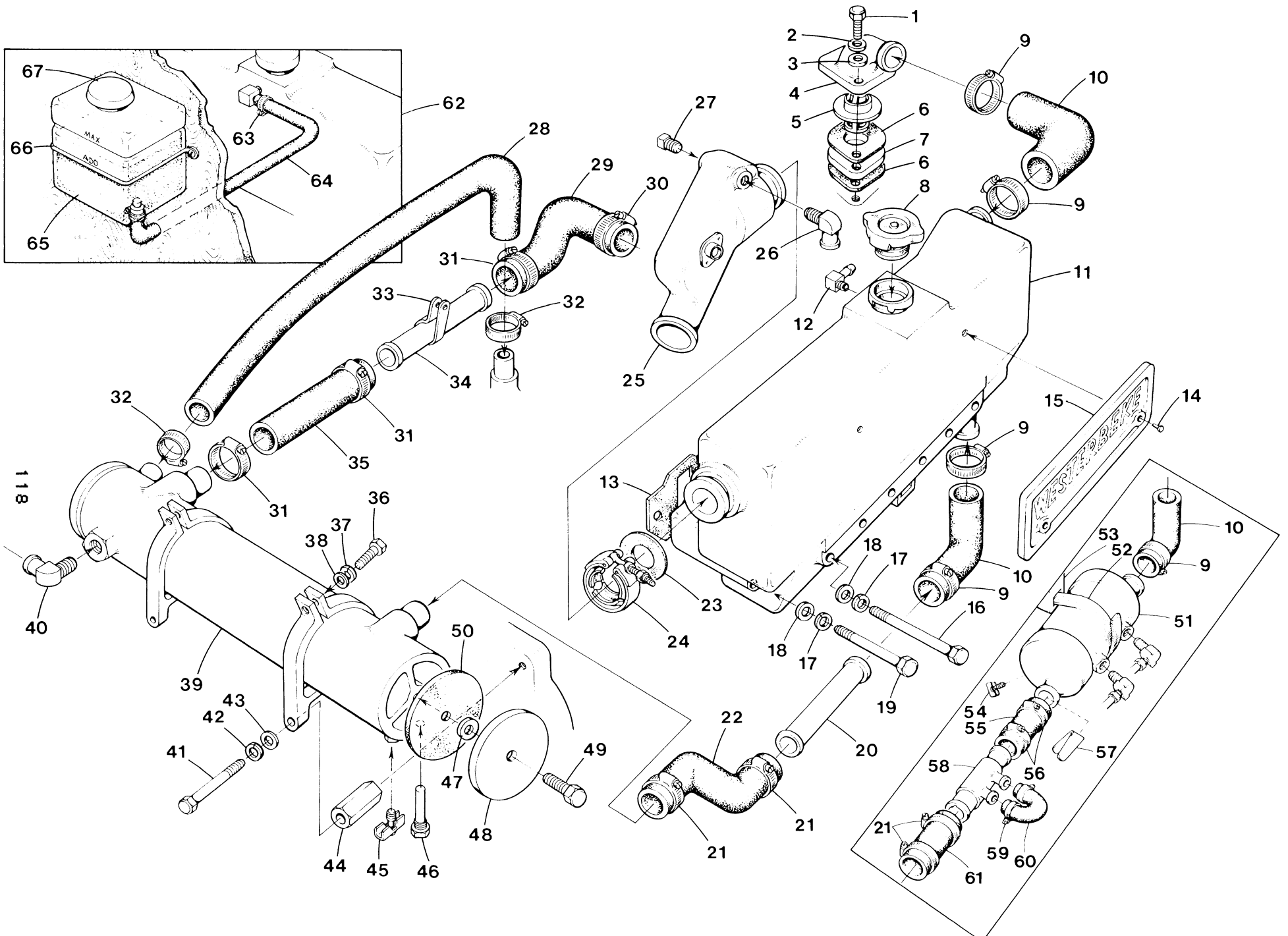
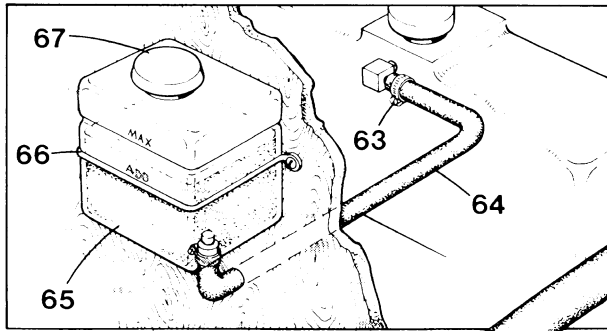
REF	PN	NAME	REMARKS	QUAN
1	024905	CAP	SUMP DRAIN HOSE	1
2	024922	BRACKET	SUMP DRAIN HOSE	1
3-1	030846	HOSE	SUMP DRAIN	1
3-2	033520	HOSE	SUMP DRAIN V-DRIVE ENGINES	1
4	035828	FILTER	LUBE OIL	1
5	033954	ADAPTER	LUBE OIL FILTER - NLA - SEE REF 28-29	1
6-1	034369	DIPSTICK	TO S/N 153548	1
6-2	034369	DIPSTICK	FROM S/N 153549 TO 157971	2
6-3	038334	DIPSTICK	FROM S/N 157972	2
7	013330	ELBOW	COOLER TO HOSE	2
8	034488	HOSE	COOLER TO FILTER ADAPTER	1
9	034188	HOSE	COOLER TO BLOCK	1
10	024973	WASHER	BANJO TO APRIL 88	1
11	024913	TABWASHER	TO APRIL 88	1
12	024782	BOLT	SUMP DRAIN BANJO REPL BY REF 31-32-33	1
13	034177	BOLT	BANJO	1
14	034178	WASHER	BANJO	2
15	034852	GASKET	ADAPTER TO BLOCK	1
16	013630	CAPSCREW	M 8 X 25 DIN 933	2
17	031812	CAPSCREW	M 8 X 65 DIN 931	1
18	031786	LOCKWASHER	M 8 DIN 127	3
19	031787	WASHER	M 8 DIN 125	3
20-1	032013	ISOLATOR	TO JAN 87	1
20-2	036341	ISOLATOR	FROM JAN 87	1
21-1	031826	NUT	5/8NF JAM-ISOLATOR 32013	3
21-2	036338	NUT	M16 DIN 985 LOCKING-ISOLATOR 36341	2
22	033958	CAPSCREW	M12 X 30 DIN 933	3
23	031792	LOCKWASHER	M12 DIN 127	3
24	033892	MOUNT	FRONT RIGHT	1
25	031827	LOCKWASHER	5/8-ISOLATOR 32013	1
26	034367	WASHER	OIL RELIEF VALVE	1
27	034368	VALVE	OIL RELIEF	1
28	034560	ADAPTER	LUBE OIL FILTER	1
29	034663	NIPPLE	ADAPTER TO FILTER	1
30-1	034761	SWITCH	OIL PRESSURE TO JULY 87 8 PIN HARNESS	1
30-2	033935	SWITCH	OIL PRESSURE FROM JULY 87 12 PIN HARNESS	1
31	036493	WASHER	SUMP DRAIN BANJO	2
32	036819	BOLT	SUMP DRAIN BANJO	1
33	037393	SEAL	LEAD WIRE FOR SUMP BOLT	1
34	034560	ADAPTER	LUBE OIL FILTER	1
35	034663	NIPPLE	ADAPTER TO FILTER	1

WESTERBEKE 15.0 BTD - OIL FILTER - SUMP DRAIN - FRONT RIGHT MOUNT



WESTERBEKE 15.0 BTD - OIL FILTER - SUMP DRAIN - FRONT RIGHT MOUNT

REF	PN	NAME	REMARKS	QUAN
1	024905	CAP	SUMP DRAIN HOSE	1
2	024922	BRACKET	SUMP DRAIN HOSE	1
3	036454	HOSE	SUMP DRAIN	1
4	035828	FILTER	LUBE OIL	1
5	034663	NIPPLE	ADAPTER TO FILTER	1
6	034560	ADAPTER	LUBE OIL FILTER	1
7	034368	VALVE	OIL RELIEF	1
8	034367	WASHER	OIL RELIEF VALVE	1
9	031787	WASHER	M 8 DIN 125	3
10	031786	LOCKWASHER	M 8 DIN 127	3
11	031812	CAPSCREW	M 8 X 65 DIN 931	1
12	033348	SWITCH	OIL PRESSURE	1
13	013630	CAPSCREW	M 8 X 25 DIN 933	2
14	034177	BOLT	BANJO	1
15	034178	WASHER	BANJO	2
16	034852	GASKET	ADAPTER TO BLOCK	1
17	034188	HOSE	ADAPTER TO BLOCK	1
18	013348	ADAPTER	HOSE 34188 TO FILTER ADAPTER	1
19-1	034369	DIPSTICK	TO S/N 157971	2
19-2	038334	DIPSTICK	FROM S/N 157972	2
20	037758	LINE	ADAPTER TO BLOCK	1
21	037759	CONNECTOR	OIL LINE 37758 TO ADAPTER	1
22	024973	WASHER	SUMP DRAIN BANJO TO APRIL 88	1
23	024913	TABWASHER	SUMP DRAIN BOLT TO APRIL 88	1
24	024782	BOLT	SUMP DRAIN BANJO-REPL BY REF 25-26-27	1
25	036819	BOLT	SUMP DRAIN BANJO	1
26	037393	SEAL	LEAD WIRE-SUMP DRAIN BOLT	1
27	036493	WASHER	SUMP DRAIN BANJO	2
28	034560	ADAPTER	LUBE OIL FILTER	1
29	034663	NIPPLE	ADAPTER TO FILTER	1
30	036092	MOUNT	FRONT RIGHT	1
31	031792	LOCKWASHER	M12 DIN 127	2
32	033958	CAPSCREW	M12 X 30 DIN 933	2
33	031712	CAPSCREW	1/2NC X 2-3/4	1
34	033530	SHIELD	ISOLATOR	1
35	031557	CAPSCREW	5/16NC X 1-1/2	4
36	015238	ISOLATOR		1
37	035271	SPACER	ISOLATOR TO RAIL	1

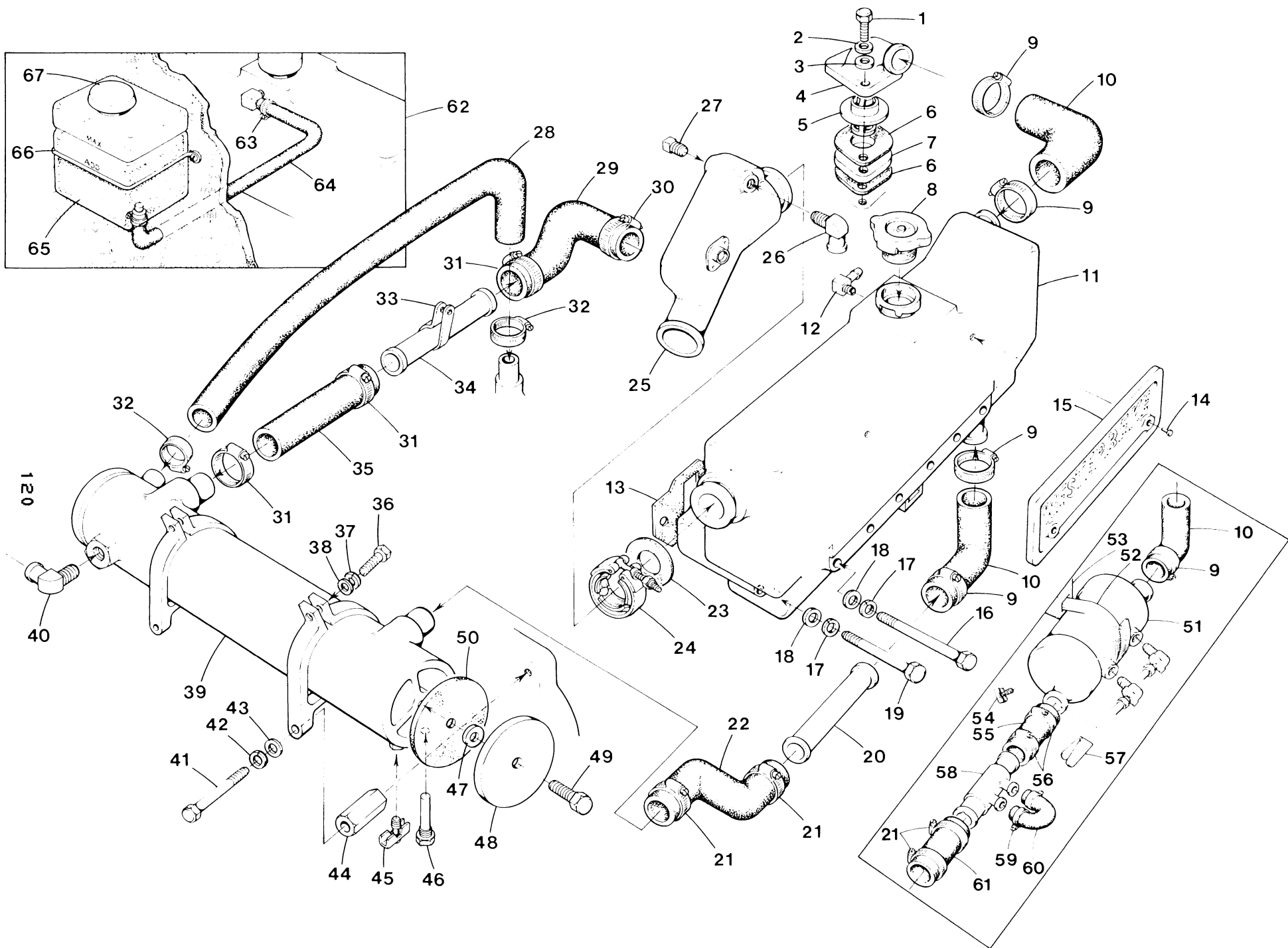


WESTERBEKE 46 - 15.0 BTD - COOLING SYSTEM

118

WESTERBEKE 46 - 15.0 BTD - COOLING SYSTEM

REF	PN	NAME	REMARKS	QUAN
1	013619	CAPSCREW	M 8 X 30 DIN 933	2
2	031786	LOCKWASHER	M 8 DIN 127	2
3	031787	WASHER	M 8 DIN 125	2
4	033968	HOUSING	THERMOSTAT	1
5	024688	THERMOSTAT		1
6	033966	GASKET	THERMOSTAT	2
7	034423	SPACER	THERMOSTAT	1
8	024306	CAP	PRESSURE	1
9	021878	CLAMP	HOSE 20	4
10	024334	HOSE	ELBOW	2
11	037301	MANIFOLD	EXHAUST	1
12	024907	ELBOW		1
13	034018	GASKET	EXHAUST MANIFOLD TO HEAD	1
14	031935	SCREW	8-32 X 1/4 OVAL HD SS	2
15	035411	NAMEPLATE		1
16	036729	CAPSCREW	M 8 X 20 DIN 931	6
17	031786	LOCKWASHER	M 8 DIN 127	8
18	031787	WASHER	M 8 DIN 125	8
19	031814	CAPSCREW	M 8 X 85 DIN 931	2
20	036456	TUBE	15.0 BTD	1
21	021878	CLAMP	HOSE 20	2
22	036325	HOSE	EXCHANGER TO TUBE 15.0 BTD	1
23	036425	GASKET	EXHAUST ELBOW TO MANIFOLD	1
24	036541	CLAMP	EXHAUST ELBOW TO MANIFOLD	1
25-1	037401	ELBOW KIT	WATER INJECTED 90 DEG INCL REF 23-27	1
25-2	037402	ELBOW KIT	WATER INJECTED 45 DEG INCL REF 23-27	1
26-1	036614	ELBOW	3/4 NPT TO 1" HOSE 90 DEGREE ELBOW	1
26-2	036616	ELBOW	1/2 NPT TO 1" HOSE 45 DEGREE ELBOW	1
27-1	036849	PLUG	3/4 NPT SQ HEAD BRASS 90 DEGREE ELBOW	1
27-2	035747	PLUG	1/2 NPT SQ HEAD BRASS 45 DEGREE ELBOW	1
28	030166	HOSE	SEA WATER PUMP TO EXCHANGER	1
29	033971	HOSE	TUBE TO FRESH WATER PUMP	1
30	011411	CLAMP	HOSE 32	1
31	021878	CLAMP	HOSE 20	3
32	011386	CLAMP	HOSE 12	2
33	013741	CLAMP	SUPPORT TUBE	1
34	034650	TUBE		1
35	024974	HOSE	1-3/8" WIRE INSERTED-INCHES REQUIRED	3
36	031506	CAPSCREW	1/4NC X 1-1/4	2
37	031752	LOCKWASHER	1/4	2
38	031753	WASHER	FLAT 1/4	2
39	036898	EXCHANGER	HEAT	1
40-1	036614	ELBOW	3/4 NPT TO 1" HOSE 15.0 BTD	1
40-2	036622	NIPPLE	3/4 NPT X 1" HOSE W46	1
41-1	013619	CAPSCREW	M 8 X 30 DIN 933 W46 FROM JAN 85	2
41-2	031556	CAPSCREW	5/16NC X 1-1/4 W46 TO JAN 85	2
41-3	031555	CAPSCREW	5/16NC X 1 15.0 BTD	2

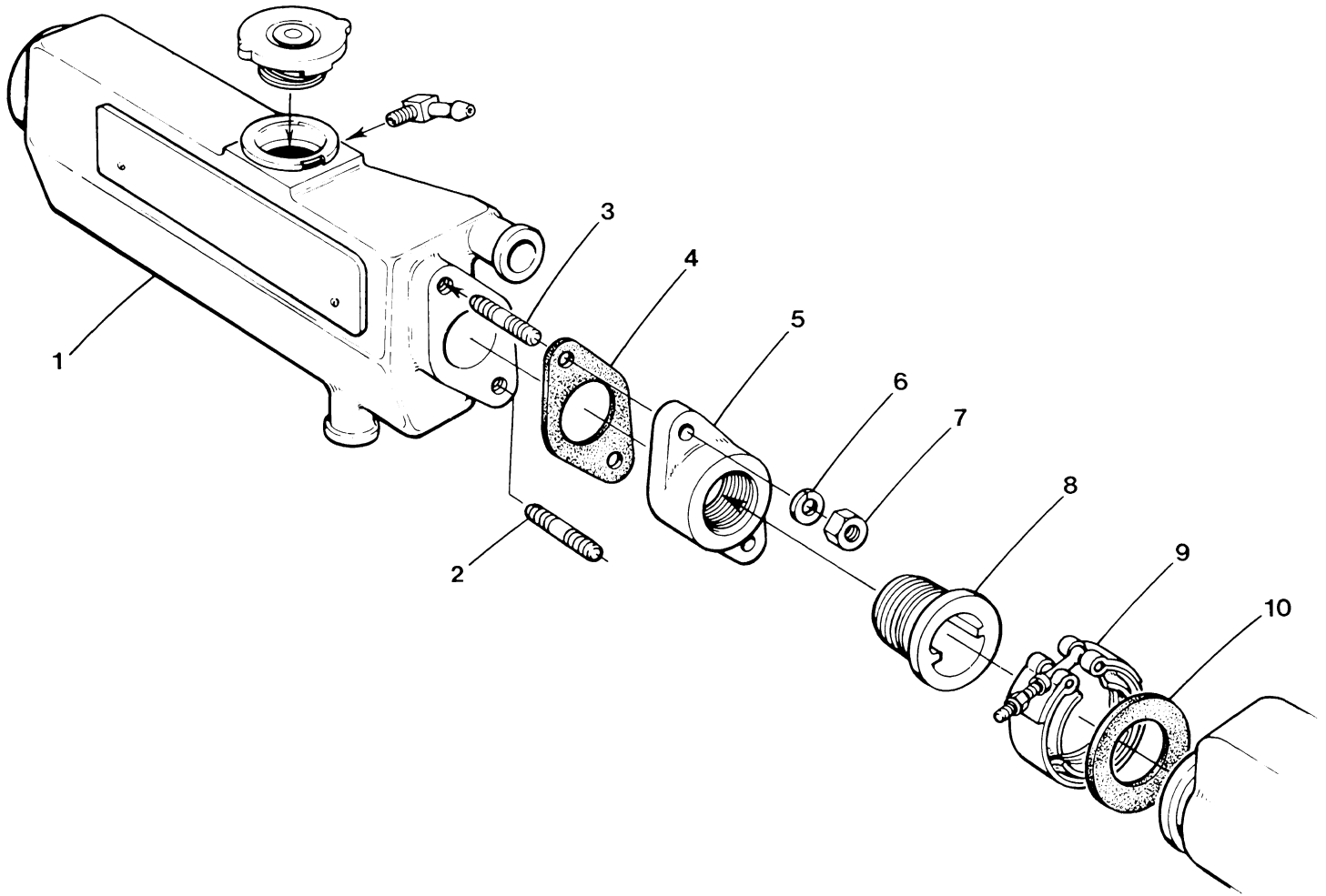


WESTERBEKE 46 - 15.0 BTU - COOLING SYSTEM

WESTERBEKE 46 - 15.0 BTD - COOLING SYSTEM

REF	PN	NAME	REMARKS	QUAN
42-1	031786	LOCKWASHER	M 8 DIN 127	2
42-2	031758	LOCKWASHER	5/16	2
43-1	031787	WASHER	M 8 DIN 125	2
43-2	031759	WASHER	FLAT 5/16	2
44	036628	SPACER	EXCHANGER MOUNT 15.0 BTD	1
45	011471	PETCOCK		1
46	011885	ZINC		1
47	019321	O-RING		2
48	022850	COVER	EXCHANGER END	2
49	022852	CAPSCREW	3/8NC X 1/2 BRASS	2
50	022851	GASKET	EXCHANGER END COVER	2
51	031530	COOLER	LUBE OIL W46	1
52	022559	CLAMP	HOSE 40	1
53	034549	BRACKET	COOLER SUPPORT WITH EXTRUDED MANIFOLD	1
54	011471	PETCOCK		1
55	024974	HOSE	1-3/8" WIRE INSERTED-INCHES REQUIRED	2
56	021878	CLAMP	HOSE 20	2
57	030165	SPRING	FLOWCONTROL W46	1
58	034432	HOUSING	FLOWCONTROL W46	1
59	011386	CLAMP	HOSE 12	2
60	030962	RETURNBEND	HOSE WHEN HEATER NOT INSTALLED	1
61	024974	HOSE	1-3/8" WIRE INSERTED-INCHES REQUIRED	2
62	024977	KIT	COOLANT RECOVERY TANK	1
63	024906	CLAMP	HOSE	2
64	024637	TUBING	INCHES REQUIRED	60
65	024704	TANK	COOLANT RECOVERY	1
66	024786	STRAP	COOLANT RECOVERY TANK MOUNTING	1
67	024858	CAP	COOLANT RECOVERY TANK	1

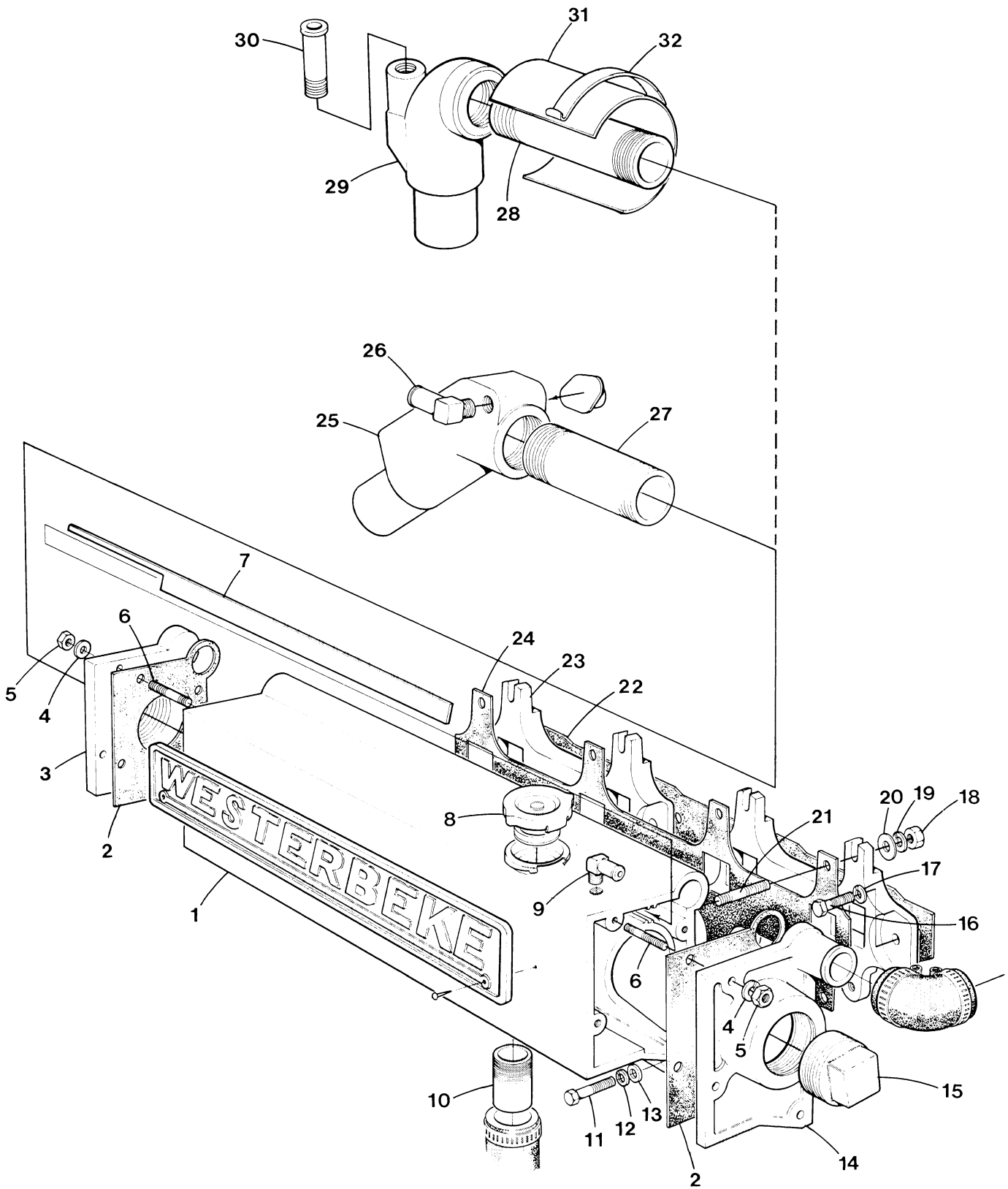
WESTERBEKE 46 - 15.0 BTD - FRONT OPENING EXHAUST MANIFOLD



WESTERBEKE 46 - 15.0 BTD - FRONT OPENING EXHAUST MANIFOLD

REF	PN	NAME	REMARKS	QUAN
1	037331	MANIFOLD	FRONT EXHAUST	1
2	016415	STUD	3/8NC X 1-1/2	1
3	016466	STUD	3/8NC X 1-3/4	1
4	037267	GASKET	FLANGE TO MANIFOLD	1
5	037270	FLANGE	MANIFOLD TO ADAPTER	1
6	031764	LOCKWASHER	3/8	2
7	031762	NUT	3/8NC	2
8	036660	ADAPTER	EXHAUST ELBOW TO FLANGE	1
9	036425	GASKET	EXHAUST ELBOW TO ADAPTER	1
10	036541	CLAMP	EXHAUST ELBOW TO ADAPTER	1

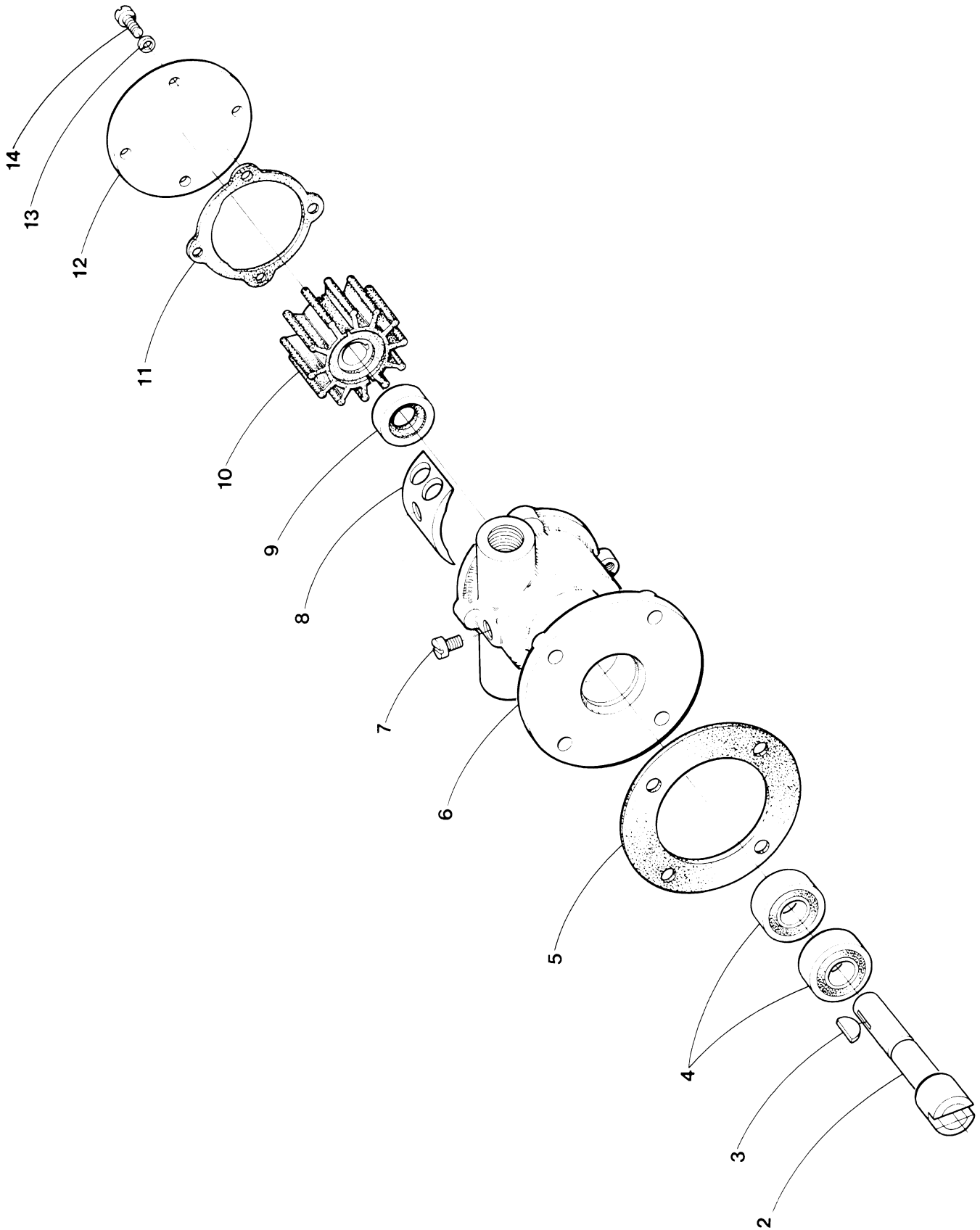
WESTERBEKE 46 - 15.0 BTD - EXTRUDED EXHAUST MANIFOLD



WESTERBEKE 46 - 15.0 BTD - EXTRUDED EXHAUST MANIFOLD

REF	PN	NAME	REMARKS	QUAN
1-1		MANIFOLD	EXHAUST-OBSOLETE USE KIT	1
1-2	037172	KIT	EXHAUST MANIFOLD REAR OPENING	1
1-3	037330	KIT	EXHAUST MANIFOLD FRONT OPENING	1
2	036609	GASKET	MANIFOLD END	2
3	033856	FLANGE	MANIFOLD REAR	1
4	031758	LOCKWASHER	5/16	8
5	031760	NUT	5/16NF	8
6	011263	STUD	MANIFOLD END	8
7		BAFFLE		1
8	024306	CAP	PRESSURE	1
9	024907	ELBOW	MANIFOLD TO RECOVERY TANK HOSE	1
10	034424	NIPPLE	1 NPT TO 1-3/8" HOSE	1
11	031555	CAPSCREW	5/16NC X 1	4
12	031758	LOCKWASHER	5/16	4
13	031759	WASHER	FLAT 5/16	4
14	033852	FLANGE	MANIFOLD FRONT	1
15	019324	PLUG	UNUSED EXHAUST OUTLET	1
16	017196	CAPSCREW	M 8 X 20 DIN 933	8
17	031786	LOCKWASHER	M 8 DIN 127	8
18	031760	NUT	5/16NF	4
19	031758	LOCKWASHER	5/16	4
20	031759	WASHER	FLAT 5/16	4
21	034685	STUD	MANIFOLD TO ADAPTER	4
22	034018	GASKET	ADAPTER TO HEAD	1
23	033762	ADAPTER	MANIFOLD TO HEAD	1
24	034019	GASKET	MANIFOLD TO ADAPTER	1
25	034486	ELBOW	45 DEG INJECTED EXHAUST	1
26	030183	ELBOW	1/2 NPT TO 7/8" HOSE	1
27	024141	NIPPLE	1.5 NPT X 3	1
28	034827	NIPPLE	1.5 NPT X 5	1
29	015985	ELBOW	90 DEG INJECTED EXHAUST	1
30	032230	NIPPLE	1/2 NPT TO 7/8" HOSE	1
31	030060	INSULATOR	EXHAUST NIPPLE	1
32	030058	CLAMP	INSULATOR RETAINING	2

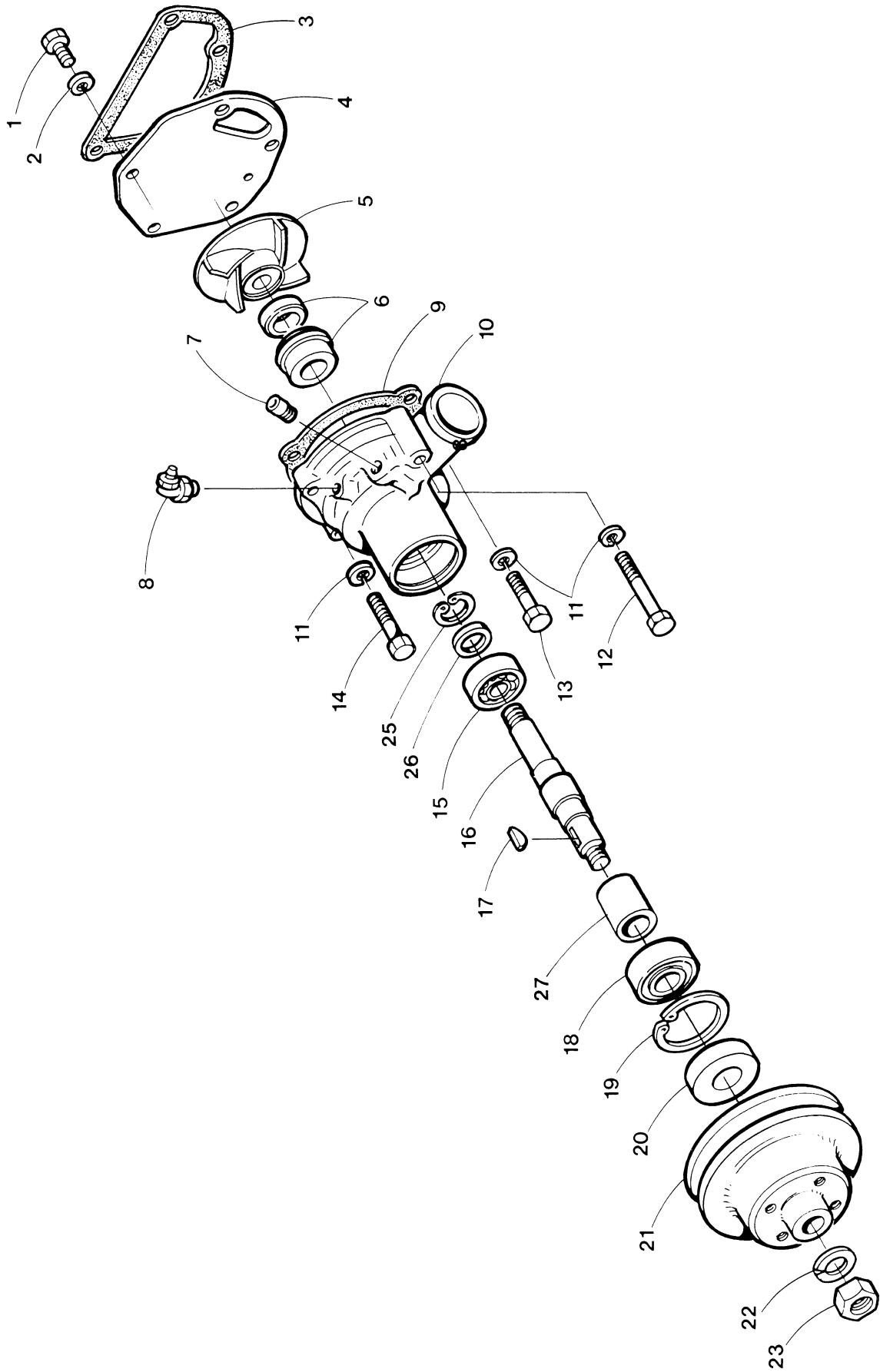
WESTERBEKE 46 - 15.0 BTD - SEA WATER PUMP



WESTERBEKE 46 - 15.0 BTD - SEA WATER PUMP

REF	PN	NAME	REMARKS	QUAN
1	016423	PUMP	SEA WATER COMPLETE EXCL MOUNTING GASKET	1
2	018176	SHAFT		1
3	018148	KEY	IMPELLER TO SHAFT	1
4	018170	BEARING		2
5	011143	GASKET	PUMP MOUNTING	1
6	018169	HOUSING	PUMP BODY	1
7	018160	SCREW	CAM RETAINING BRASS	1
8	018152	CAM		1
9	018159	SEAL		1
10	033104	KIT	IMPELLER AND GASKET	1
11	015153	GASKET	IMPELLER COVER	1
12	018171	COVER	IMPELLER	1
13	032183	LOCKWASHER		4
14	018151	SCREW	IMPELLER COVER BRASS	4
15	018172	KIT	MAJOR REPAIR	1

WESTERBEKE 46 - 15.0 BTD - FRESH WATER PUMP



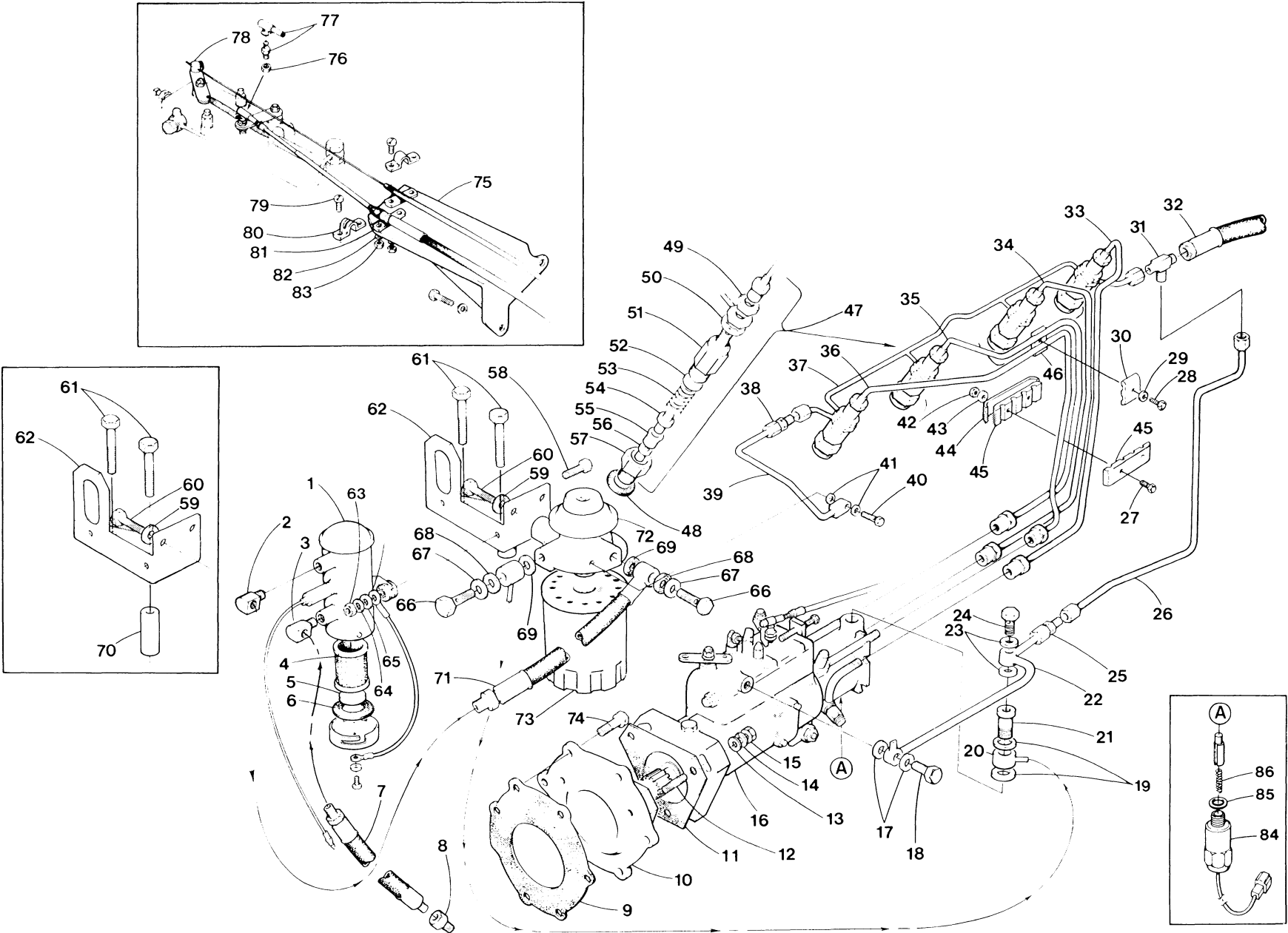
WESTERBEKE 46 - 15.0 BTD - FRESH WATER PUMP

REF	PN	NAME	REMARKS	QUAN
1	016789	CAPSCREW	M 8 X 16 DIN 933	2
2	031786	LOCKWASHER	M 8 DIN 127	2
3	034371	GASKET	WATER PUMP TO BLOCK	1
4	034373	COVER	FRESH WATER PUMP	1
5-1	034375	IMPELLER	TO S/N 162785	1
5-2	038832	IMPELLER	FROM S/N 162786	1
6	034253	SEAL		1
7	030711	PLUG	TO S/N 162785	1
8	034961	CONNECTOR	GREASE FITTING	1
9	034374	GASKET	PUMP COVER	1
10	034370	PUMP	FRESH WATER	1
11	019262	LOCKWASHER	M10 DIN 127	4
12	031820	CAPSCREW	M10 X 1.25 X 65 DIN 961	1
13	024953	CAPSCREW	M10 X 1.25 X 35 DIN 961	2
14	024955	CAPSCREW	M10 X 1.25 X 45 DIN 960	1
15	034962	BEARING		1
16-1	034372	SHAFT	TO S/N 162785	1
16-2	038833	SHAFT	FROM S/N 162786	1
17	034964	KEY	WOODRUFF	1
18	034963	BEARING		1
19	024413	RING	RETAINING	1
20	034391	SPACER		1
21-1	034392	PULLEY	FRESH WATER PUMP 1 GROOVE	1
21-2	034868	PULLEY	FRESH WATER PUMP 2 GROOVE	1
22	031797	LOCKWASHER	M14 DIN 127	1
23	031808	NUT	M14 JAM	1
25	038339	RING	RETAINING FROM S/N 162786	1
26	038844	WASHER	FROM S/N 162786	1
27	038840	SPACER	BEARING FROM S/N 162786	1

WESTERBEKE 46 - 15.0 BTD - FUEL SYSTEM

REF	PN	NAME	REMARKS	QUAN
1	024831	PUMP	ELECTRIC FUEL LIFT 12VDC	1
2	022513	ELBOW	LIFT PUMP TO LINE	1
3	013340	ELBOW	1/8 NPT STREET 90	1
4	030548	ELEMENT	LIFT PUMP FILTER INCL GASKET	1
5	033792	MAGNET	LIFT PUMP	1
6	033484	GASKET	LIFT PUMP FILTER COVER	1
7	030025	HOSE	FUEL SUPPLY WITH ADAPTER	1
8	015289	ADAPTER		1
9-1	034274	GASKET	ADAPTER TO PLATE TO S/N 156231	1
9-2	039121	O-RING	ADAPTER TO PLATE FROM S/N 156232	1
10-1	034278	ADAPTER	INJECTION PUMP MOUNT TO JUNE 1985	1
10-2	036168	ADAPTER	INJECTION PUMP MOUNT TO S/N 156231	1
10-3	039120	ADAPTER	INJECTION PUMP MOUNT FROM S/N 156232	1
11	034275	GASKET	INJECTION PUMP TO ADAPTER	1
12	015830	STUD	M 8 X 25 DIN 939	3
13	031787	WASHER	M 8 DIN 125	3
14	031786	LOCKWASHER	M 8 DIN 127	3
15	018242	NUT	M 8 DIN 934	3
16-1	034378	PUMP	FUEL INJECTION TO JUNE 1985	1
16-2	036169	PUMP	FUEL INJECTION W46	1
16-3	037760	PUMP	FUEL INJECTION 15.0 BTD	1
17	034448	WASHER	BANJO	2
18	034450	BOLT	BANJO	1
19	030291	WASHER	BANJO M14	2
20	034483	LINE	FUEL FILTER TO INJECTION PUMP	1
21	036173	KIT	CHECK VALVE ASSY INCL REF 21,23,24	1
22	034184	LINE		1
23	034448	WASHER	BANJO	2
24		VALVE	CHECK	1
25-1	024600	UNION	COMPRESSION INCL NUTS AND FERRULES	1
25-2	013343	FERRULE		2
25-3	013344	NUT	COMPRESSION	2
26	033959	LINE	INJECTION PUMP TO INJECTOR LEAK-OFF	1
27	013630	CAPSCREW	M 8 X 25 DIN 933	2
28	020628	CAPSCREW	M 6 X 25 DIN 933	2
29	031783	LOCKWASHER	M 6 DIN 127	2
30	030315	CLAMP	FUEL LINE	2
31-1	019291	TEE	COMPRESSION INCL NUTS AND FERRULES	1
31-2	013343	FERRULE		2
31-3	013344	NUT	COMPRESSION	2
32	034857	HOSE	FUEL RETURN	1
33-1	034280	LINE	INJECTOR 4 TO S/N 159664	1
33-2	038837	LINE	INJECTOR 4 FROM S/N 159665	1
34-1	034279	LINE	INJECTOR 3 TO S/N 159664	1
34-2	038836	LINE	INJECTOR 3 FROM S/N 159665	1
35-1	034277	LINE	INJECTOR 2 TO S/N 159664	1
35-2	038835	LINE	INJECTOR 2 FROM S/N 159665	1
36-1	034276	LINE	INJECTOR 1 TO S/N 159664	1
36-2	038834	LINE	INJECTOR 1 FROM S/N 159665	1

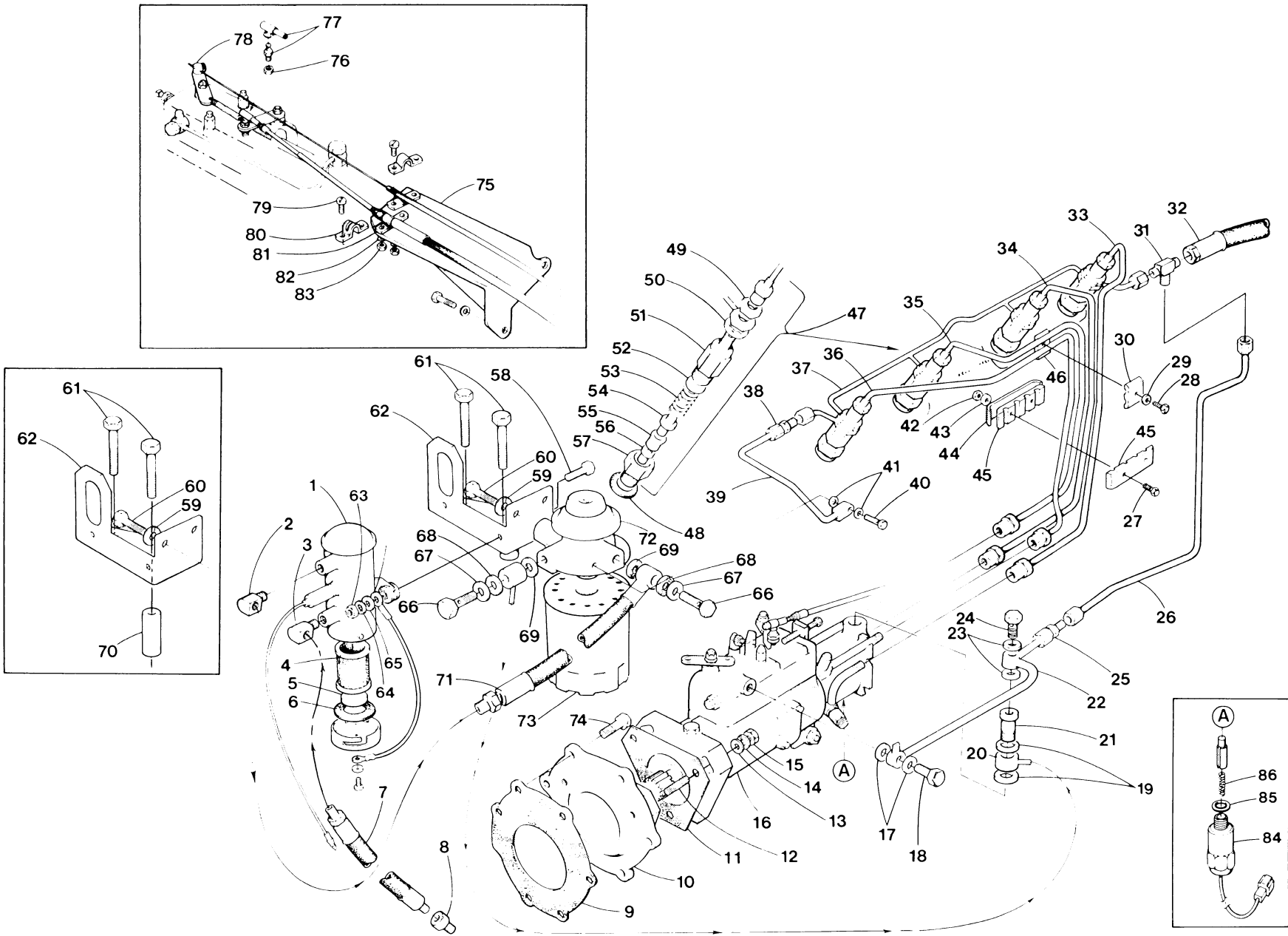
WESTERBEKE 46 - 15.0 BTD - FUEL SYSTEM



WESTERBEKE 46 - 15.0 BTD - FUEL SYSTEM

REF	PN	NAME	REMARKS	QUAN
37-1	033961	LINE	INJECTOR LEAK-OFF TO S/N 159664	1
37-2	038838	LINE	INJECTOR LEAK-OFF FROM S/N 159665	1
38-1	024600	UNION	COMPRESSION INCL NUTS AND FERRULES	1
38-2	013343	FERRULE		2
38-3	013344	NUT	COMPRESSION	2
39	034496	LINE	INJECTOR LEAK-OFF TO FILTER	1
40	034493	BOLT	BANJO	1
41	032869	WASHER	BANJO	2
42	018242	NUT	M 8 DIN 934	2
43	031786	LOCKWASHER	M 8 DIN 127	2
44	034388	CLAMP	FUEL LINE	2
45	034389	ISOLATOR	FUEL LINE	2
46	030316	CLAMP	FUEL LINE	2
47-1	034376	INJECTOR	TO S/N 159664	4
47-2	038842	INJECTOR	FROM S/N 159665	4
48-1	034281	GASKET	INJECTOR TO HEAD TO S/N 159664	4
48-2	038841	GASKET	INJECTOR TO HEAD FROM S/N 159665	4
49-1	034251	NUT	INJECTOR TO LINE TO S/N 159664	4
49-2	038843	NUT	INJECTOR TO LINE FROM S/N 159665	4
50-1	034250	GASKET	INJECTOR TO LINE TO S/N 159664	4
50-2	038825	GASKET	INJECTOR TO LINE FROM S/N 159665	4
51		BODY	INJECTOR	4
52		SHIM		AR
53		SPRING		4
54		PIN	PRESSURE	4
55		SPACER		4
56-1	034377	NOZZLE	INJECTOR 34376	4
56-2	038845	NOZZLE	INJECTOR 38842	4
57		NUT	NOZZLE RETAINING	4
58	013590	CAPSCREW	M 6 X 30 DIN 933	2
59	019262	LOCKWASHER	M10 DIN 127	2
60	024952	CAPSCREW	M10 X 1.25 X 25 DIN 961	2
61	033637	BOLT	CYLINDER HEAD	2
62	034026	BRACKET	FILTER,LIFT PUMP,LIFTING EYE	1
63	015812	NUT	M 6 DIN 934	2
64	031783	LOCKWASHER	M 6 DIN 127	2
65	031784	WASHER	M 6 DIN 125	2
66	030139	BOLT	BANJO	2
67	024972	WASHER		2
68	030291	WASHER	BANJO M14	2
69	030290	WASHER	BANJO M12	2

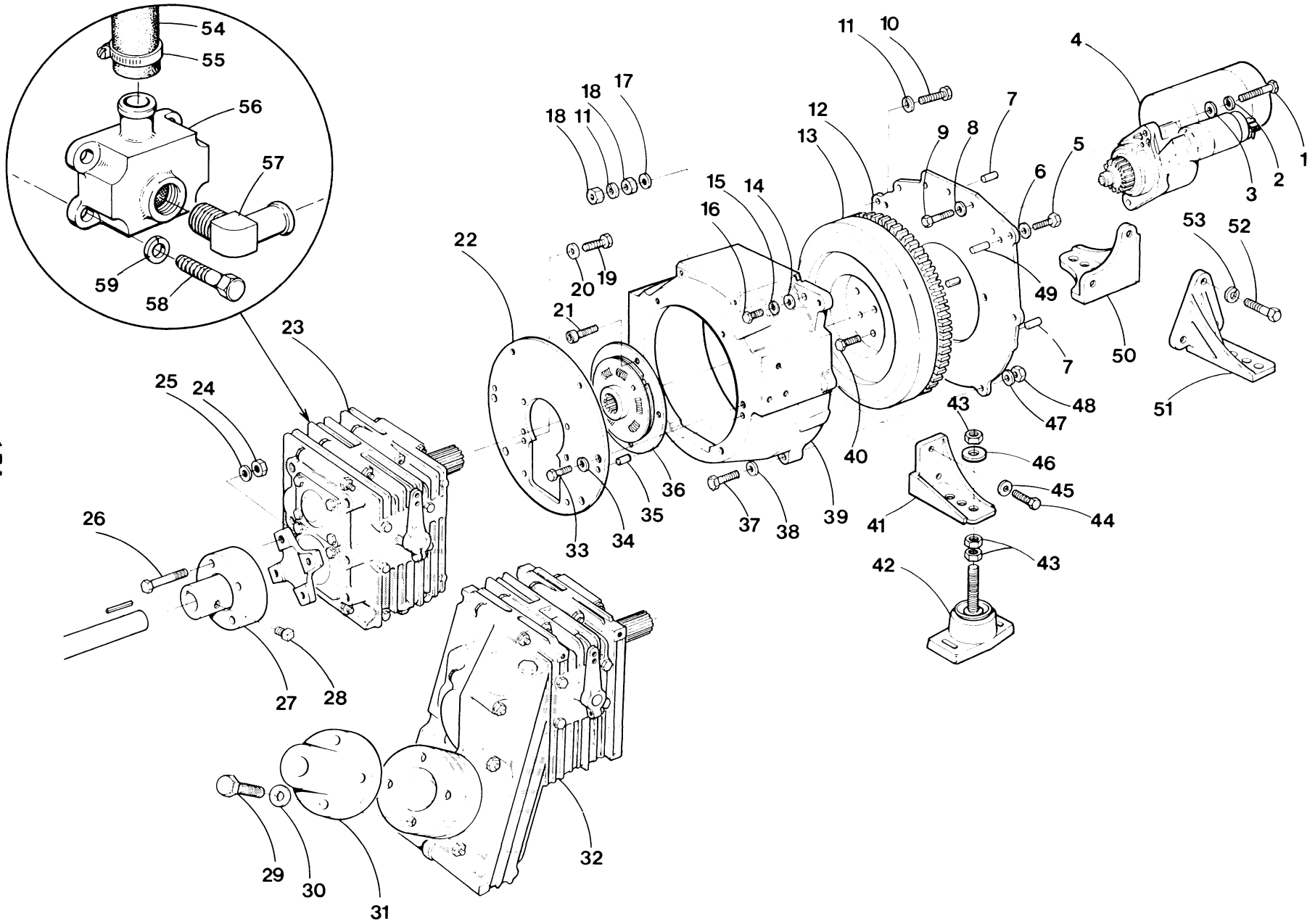
WESTERBEKE 46 - 15.0 BTD - FUEL SYSTEM



134

WESTERBEKE 46 - 15.0 BTD - FUEL SYSTEM

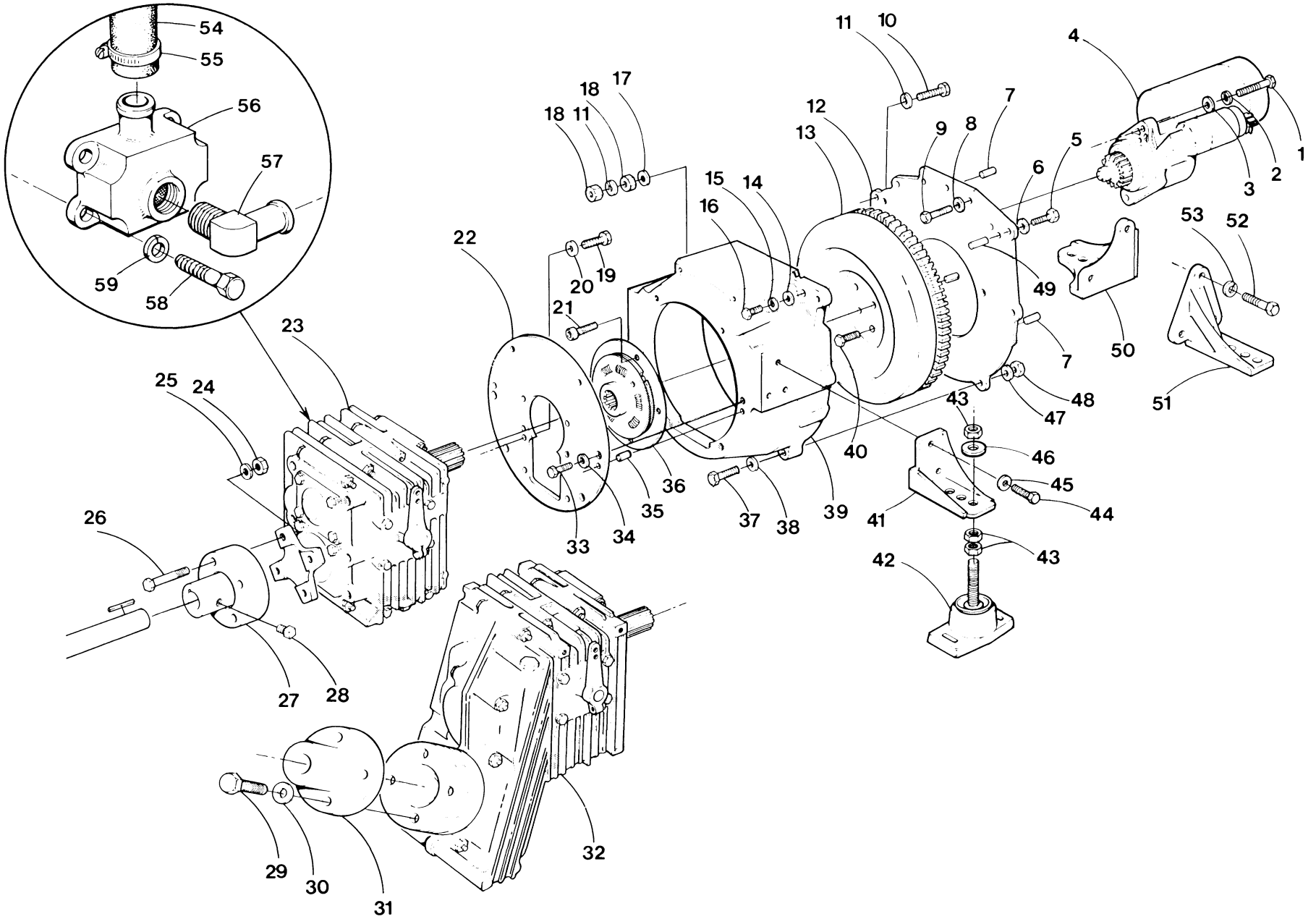
REF	PN	NAME	REMARKS	QUAN
70	034189	SPACER	BRACKET TO HEAD	1
71	034489	HOSE	LIFT PUMP TO FILTER INCL ELBOW	1
72	032696	FILTER	FUEL, COMPLETE	1
73	024363	FILTER	FUEL ELEMENT	1
74-1	034256	CAPSCREW	M 8 X 20 WITH LOCKWASHER & SEALANT	1
74-2	034257	CAPSCREW	M 8 X 30 WITH LOCKWASHER & SEALANT	1
75	034662	BRACKET	THROTTLE CABLE W46	1
76	031754	NUT	1/4NF	1
77	033482	BALL JOINT	THROTTLE CABLE W46	1
78-1	019370	PIVOT	STOP LEVER W46	1
78-2	011796	COTTER PIN		1
79	031873	SCREW	10-32 X 5/8 SS	2
80	013325	CLAMP	THROTTLE CABLE W46	1
81	013870	SHIM	THROTTLE CABLE CLAMP	1
82	031849	LOCKWASHER	10	2
83	031847	NUT	10-32	2
84	036172	SOLENOID	FUEL SHUT-OFF 12VDC	1
85	036171	O-RING	FUEL SOLENOID TO INJECTION PUMP	1
86	036170	SPRING	FUEL SHUT-OFF SOLENOID	1



WESTERBEKE 46 - BACK END - MODEL HBW TRANSMISSION - MOUNTING SYSTEM

REF	PN	NAME	REMARKS	QUAN
1-1	013629	CAPSCREW	M10 X 25 DIN 933	2
1-2	024950	NUT	M10 X 1.25 DIN 934	2
1-3	037762	STUD	STARTER	2
2	019262	LOCKWASHER	M10 DIN 127	2
3	031789	WASHER	M10 DIN 125	2
4	030593	MOTOR	STARTER 12 VDC	1
5	034589	CAPSCREW	M10 X 30 DIN 933	4
6	019262	LOCKWASHER	M10 DIN 127	4
7	034905	DOWEL	BLOCK TO BACKPLATE	2
8	019262	LOCKWASHER	M10 DIN 127	7
9	013629	CAPSCREW	M10 X 25 DIN 933	7
10	038394	CAPSCREW	BATTERY GROUND	1
11	019262	LOCKWASHER	M10 DIN 127	2
12	033556	PLATE	BACK	1
13-1	034024	FLYWHEEL	ASSEMBLY WITH RING GEAR	1
13-2	030230	GEAR	RING	1
14	031789	WASHER	M10 DIN 125	1
15	019262	LOCKWASHER	M10 DIN 127	1
16	034470	CAPSCREW	M10 X 45 DIN 931	1
17	031789	WASHER	M10 DIN 125	1
18	015887	NUT	M10 DIN 934 BATTERY GROUND	2
19-1	020650	CAPSCREW	M 8 X 18 DIN 933 HBW150	6
19-2	013629	CAPSCREW	M10 X 25 DIN 933 HBW250 & V-DRIVE	6
20-1	031786	LOCKWASHER	M 8 DIN 127	6
20-2	031790	LOCKWASHER	M10 DIN 137B	6
21	024778	CAPSCREW	DAMPER TO FLYWHEEL	5
22-1	031267	ADAPTER	HBW150	1
22-2	030063	ADAPTER	HBW150V	1
22-3	032553	ADAPTER	HBW250	1
23-1	031248	HBW GEAR	MODEL 150 1.6:1	1
23-2	024631	HBW GEAR	MODEL 150 1.9:1	1
23-4	032566	HBW GEAR	MODEL 250 2.7:1	1
24	024950	NUT	M10 X 1.25 DIN 934	4
25	019262	LOCKWASHER	M10 DIN 127	4
26	031228	CAPSCREW	M10 X 1.25 X 30 DIN 961	4
27-1	023706	COUPLING	BORE 0.75"	1
27-2	023707	COUPLING	BORE 0.875"	1
27-3	023708	COUPLING	BORE 1.0"	1
27-4	023709	COUPLING	BORE 1.125"	1
27-5	023710	COUPLING	BORE 1.25"	1
27-6	023711	COUPLING	BORE 1.375"	1
27-7	023712	COUPLING	BORE 1.5"	1
28-1	023651	SETSCREW	COUPLING 3/8NC X 3/4	2
28-2	023652	SETSCREW	COUPLING 3/8NC X 1	2
29	013629	CAPSCREW	M10 X 25 DIN 933	4
30	031790	LOCKWASHER	M10 DIN 137B	4
31		COUPLING	SEE REF 27	

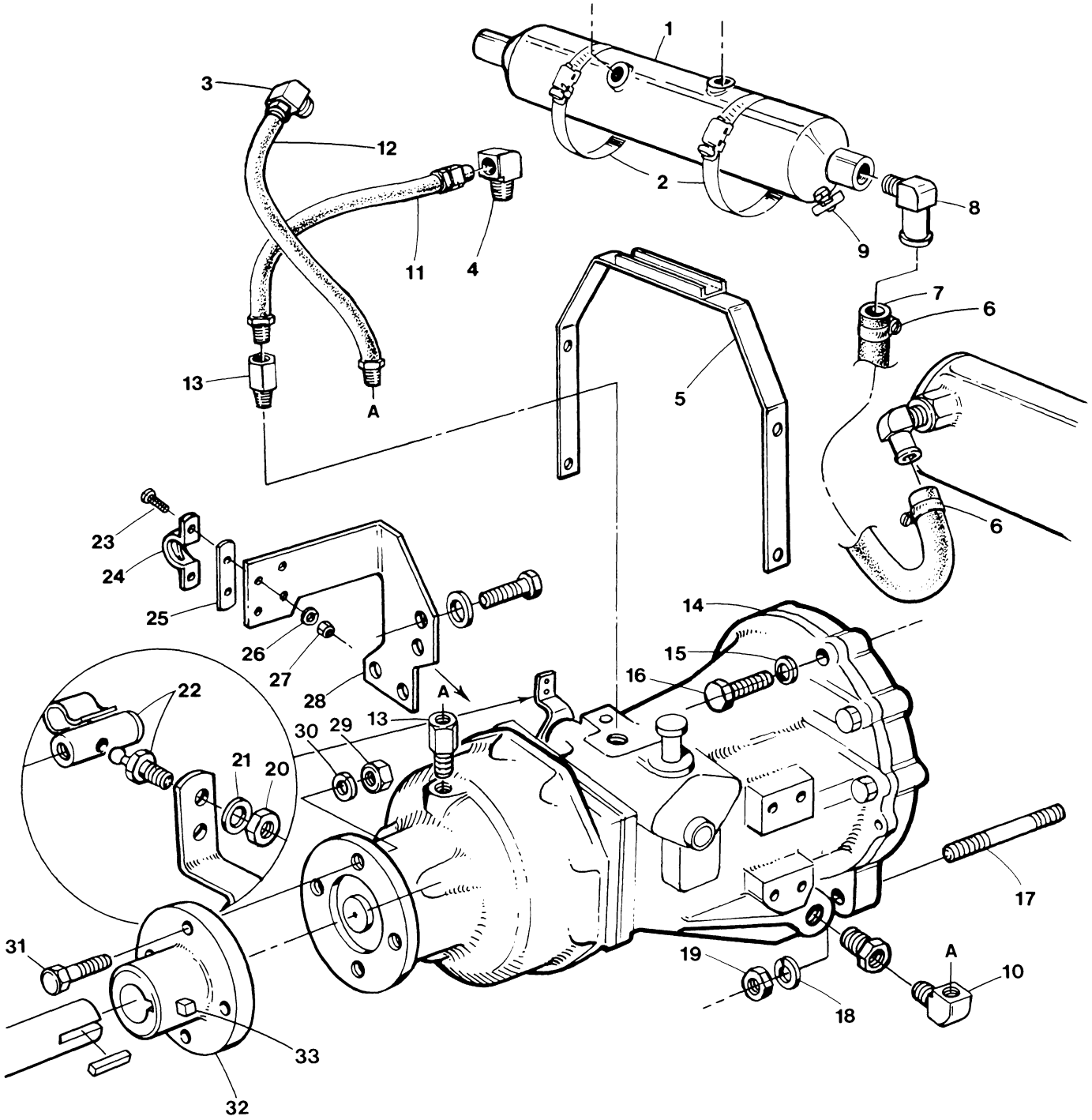
WESTERBEKE 46 - BACK END - MODEL HBW TRANSMISSION - MOUNTING SYSTEM



WESTERBEKE 46 - BACK END - MODEL HBW TRANSMISSION - MOUNTING SYSTEM

REF	PN	NAME	REMARKS	QUAN
32-1	031249	HBW GEAR	V-DRIVE 1.8:1	1
32-2	030048	HBW GEAR	V-DRIVE 2.1:1	1
33-1	013629	CAPSCREW	M10 X 25 DIN 933 HBW150	6
33-2	034589	CAPSCREW	M10 X 30 DIN 933 HBW250 & V-DRIVE	6
34	019262	LOCKWASHER	M10 DIN 127	6
35	019039	DOWEL	ADAPTER TO HOUSING	2
36-1	019398	DAMPER	HBW150 & V-DRIVE	1
36-2	011618	DAMPER	HBW250 & WARNER HYDRAULIC	1
37	034470	CAPSCREW	M10 X 45 DIN 931	2
38	031789	WASHER	M10 DIN 125	2
39	034682	HOUSING	FLYWHEEL	1
40	033279	BOLT	FLYWHEEL	4
41-1	033890	MOUNT	REAR 14.56-16-18" CENTERS STANDARD	2
41-2	034430	MOUNT	REAR 16-18-22" CENTERS OPTIONAL	2
42-1	032013	ISOLATOR	FRONT & REAR TO JAN 87	4
42-2	036341	ISOLATOR	FRONT & REAR FROM JAN 87	4
43-1	031826	NUT	5/8NF JAM TO JAN 87	12
43-2	036338	NUT	M16 DIN 985 LOCKING FROM JAN 87	8
44	013629	CAPSCREW	M10 X 25 DIN 933	6
45	019262	LOCKWASHER	M10 DIN 127	6
46	031827	LOCKWASHER	5/8 TO JAN 87	4
47	019262	LOCKWASHER	M10 DIN 127	2
48	015887	NUT	M10 DIN 934	2
49	013919	DOWEL	BACKPLATE TO HOUSING	2
50-1	033894	MOUNT	FRONT LEFT 14.56-16-18" CENTERS STANDARD	1
50-2	034428	MOUNT	FRONT LEFT 16-18-22.5" CENTERS OPTIONAL	1
51-1	033892	MOUNT	FRONT RIGHT 14.56-16-18" CENTERS STD	1
51-2	034426	MOUNT	FRONT RIGHT 16-18-22.5" CENTERS OPTIONAL	1
52	033958	CAPSCREW	M12 X 30 DIN 933	6
53	031792	LOCKWASHER	M12 DIN 127	6
54-1	011779	HOSE	1" WIRE INSERTED - INCHES REQUIRED	24
54-2	019059	HOSE	7/8" WIRE INSERTED - INCHES REQUIRED	24
55-1	011405	CLAMP	HOSE 16	2
55-2	011386	CLAMP	HOSE 12	2
56-1	036648	COOLER	TRANSMISSION 1" HOSE	1
56-2	034544	COOLER	TRANSMISSION 7/8" HOSE TO SEPT 87	1
57-1	036614	ELBOW	3/4NPT X 1" HOSE	1
57-2	030183	ELBOW	1/2NPT X 7/8" HOSE	1
58	017196	CAPSCREW	M 8 X 20 DIN 933	4
59	031786	LOCKWASHER	M 8 DIN 127	4

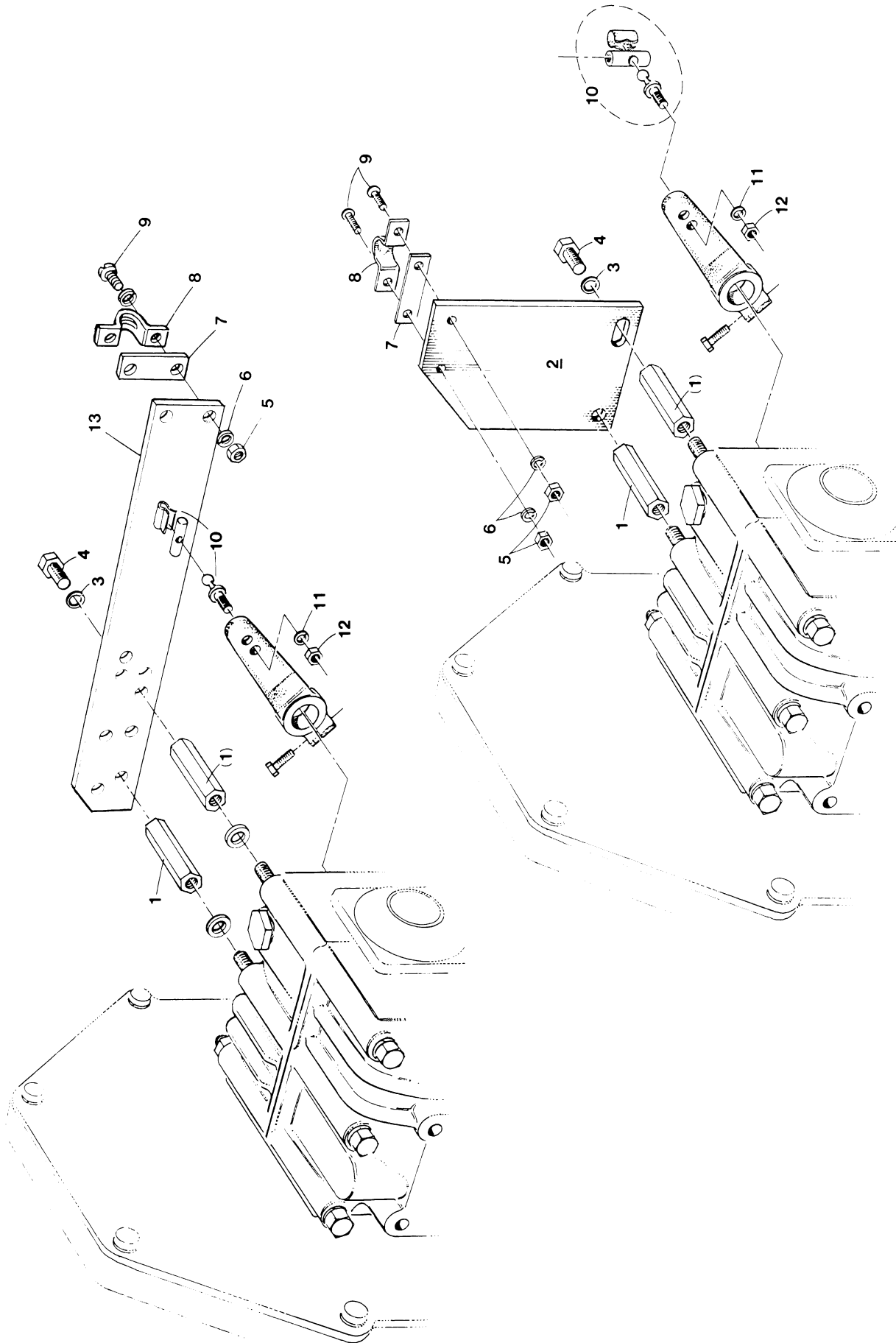
WESTERBEKE 46 - WARNER HYDRAULIC TRANSMISSION



WESTERBEKE 46 - WARNER HYDRAULIC TRANSMISSION

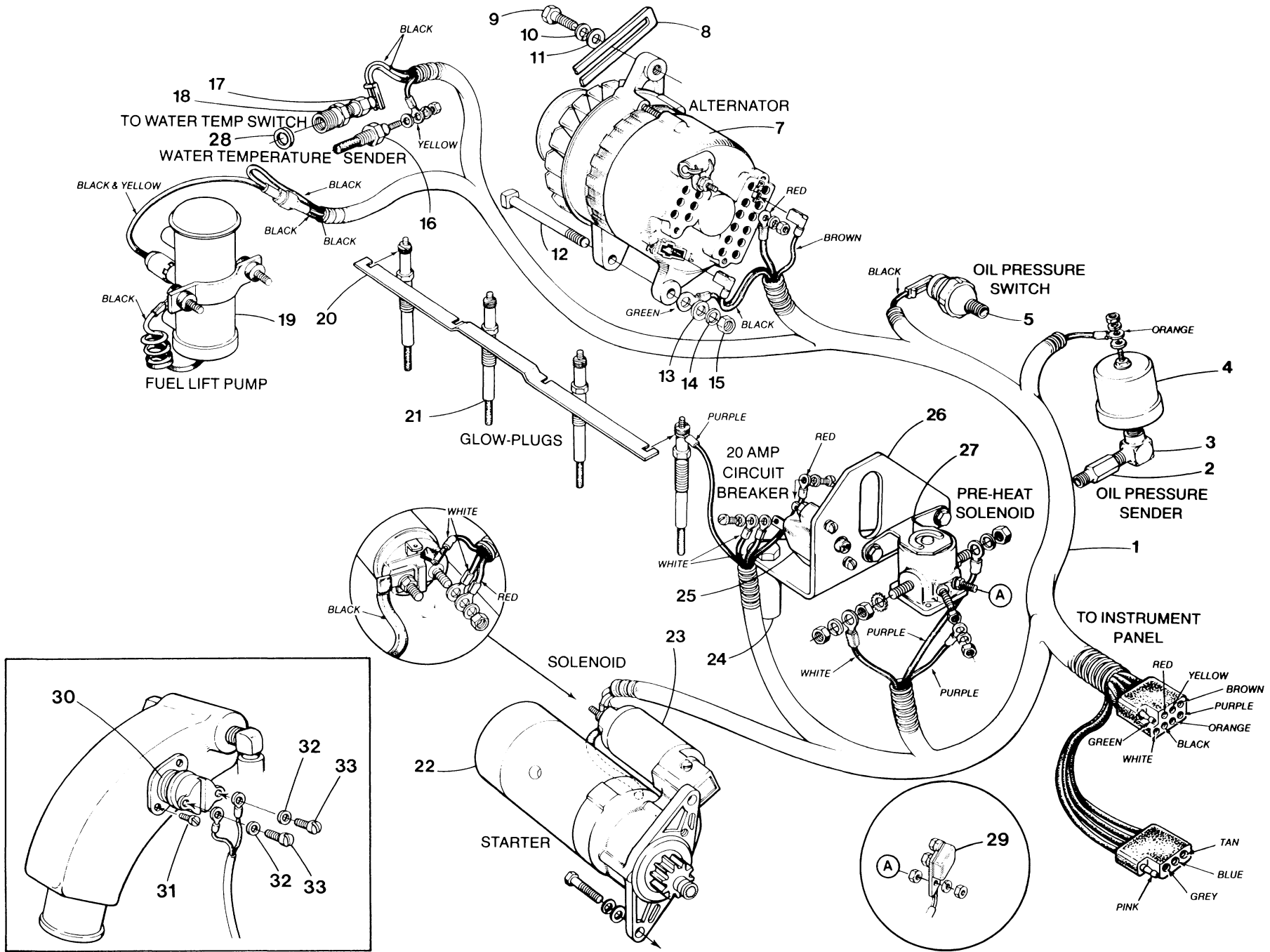
REF	PN	NAME	REMARKS	QUAN
1	036650	COOLER	OIL	1
2	011411	CLAMP	HOSE 32 - MOUNT COOLER TO BRACKET	2
3	013330	ELBOW	COOLER TO HOSE	1
4	013338	ELBOW	3/8NPT BRASS STREET 90	1
5	013057	BRACKET	COOLER MOUNT TO TRANSMISSION	1
6	011405	CLAMP	HOSE 16	2
7	011779	HOSE	1" ID WIRE INSERTED - INCHES REQUIRED	16
8	036614	ELBOW	3/4NPT X 1" HOSE	2
9	011471	PETCOCK	1/8NPT	1
10	013330	ELBOW	HOSE TO TRANSMISSION EXCEPT 2:1	1
11	011921	HOSE	OIL	1
12-1	022114	HOSE	OIL - 1:1 AND 2:1 TRANSMISSION	1
12-2	023567	HOSE	OIL - REDUCTION TRANSMISSION EXCEPT 2:1	1
13-1	013348	CONNECTOR	HOSE TO TRANSMISSION EXCEPT 2:1	1
13-2	013348	CONNECTOR	HOSE TO 2:1 TRANSMISSION	2
14-1	011630	GEAR	HYDRAULIC 1:1	1
14-2	011631	GEAR	HYDRAULIC 1.5:1	1
14-3	037297	GEAR	HYDRAULIC 1.9:1 OPPOSITE ROTATION	1
14-4	011632	GEAR	HYDRAULIC 2:1	1
14-5	011633	GEAR	HYDRAULIC 2.5:1	1
14-6	011634	GEAR	HYDRAULIC 3:1	1
15	019262	LOCKWASHER	M10 DIN 127	4
16	035003	CAPSCREW	M10 X 80 DIN 931	4
17	035004	STUD	M10 X 70 DIN 939	2
18	019262	LOCKWASHER	M10 DIN 127	2
19	015887	NUT	M10 DIN 934	2
20	031754	NUT	1/4NF	1
21	031752	LOCKWASHER	1/4	1
22	033482	BALL JOINT	SHIFT CABLE	1
23	031873	SCREW	10-32 X 5/8 SS	2
24	013325	CLAMP	CABLE	1
25	013870	SHIM	CABLE	1
26	031849	LOCKWASHER	10	2
27	031847	NUT	10-32	2
28	032315	BRACKET	SHIFT CABLE	1
29	031768	NUT	7/16NC	4
30	031770	LOCKWASHER	7/16	4
31	031655	CAPSCREW	7/16NC X 1	4
32- 1	023706	COUPLING	DIRECT DRIVE 0.75" BORE	1
32- 2	023707	COUPLING	DIRECT DRIVE 0.875" BORE	1
32- 3	023708	COUPLING	DIRECT DRIVE 1.0" BORE	1
32- 4	023709	COUPLING	DIRECT DRIVE 1.125" BORE	1
32- 5	023710	COUPLING	DIRECT DRIVE 1.25" BORE	1
32- 6	023711	COUPLING	DIRECT DRIVE 1.375" BORE	1
32- 7	023712	COUPLING	DIRECT DRIVE 1.5" BORE	1
32- 8	023686	COUPLING	REDUCTION 1.0" BORE	1
32- 9	023687	COUPLING	REDUCTION 1.125" BORE	1
32-10	023688	COUPLING	REDUCTION 1.25" BORE	1
32-11	023689	COUPLING	REDUCTION 1.375" BORE	1
32-12	023690	COUPLING	REDUCTION 1.5" BORE	1
33-1	023651	SETSCREW	COUPLING 3/8NC X 3/4	2
33-2	023652	SETSCREW	COUPLING 3/8NC X 1	2
33-3	023653	SETSCREW	COUPLING 3/8NC X 1-1/4	2

WESTERBEKE 46 - MODEL HBW TRANSMISSION SHIFTING BRACKET



WESTERBEKE 46 - MODEL HBW TRANSMISSION SHIFTING BRACKET

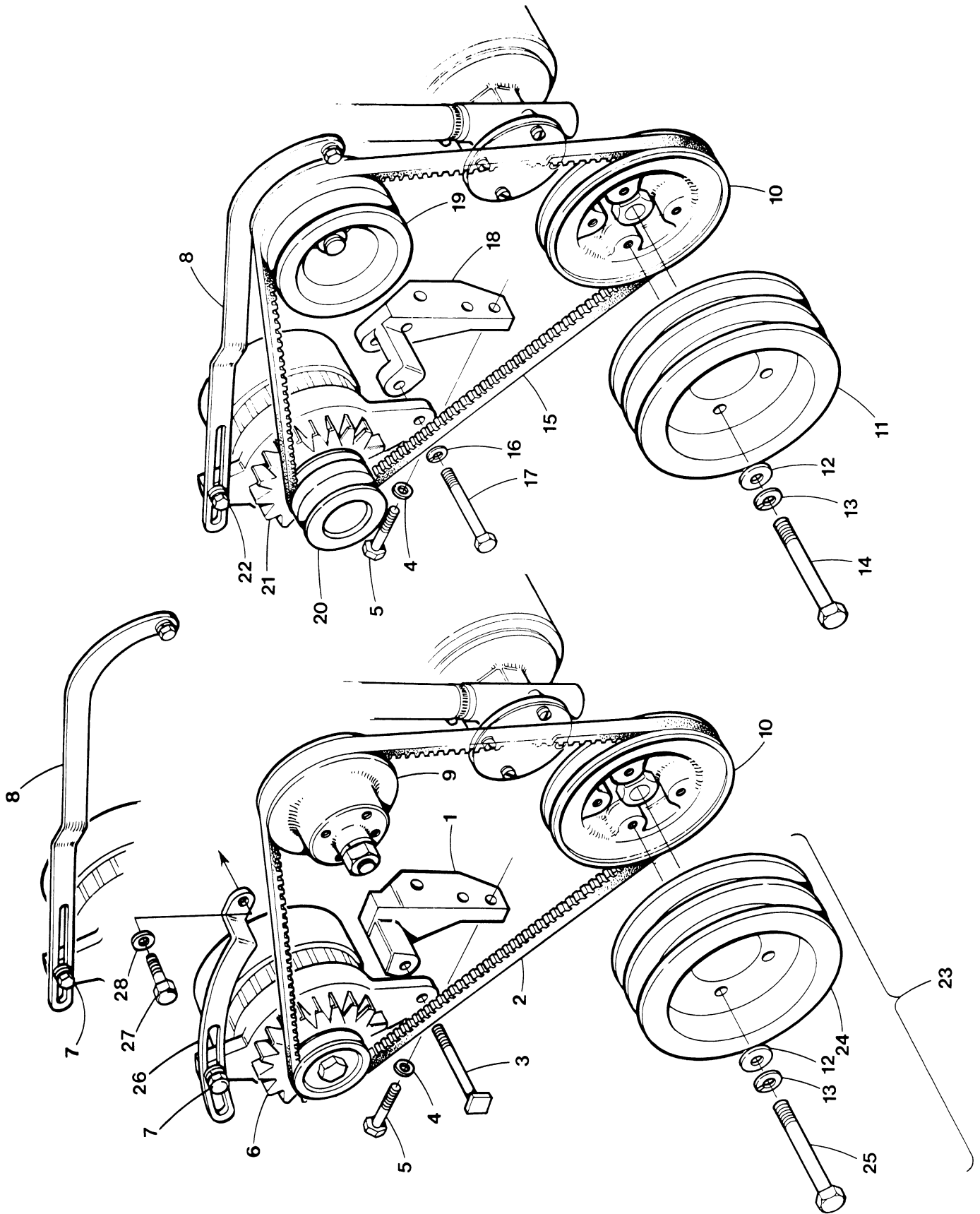
REF	PN	NAME	REMARKS	QUAN
1	030756	NUT	M 8 PILLAR	2
2	030181	BRACKET	SHIFT CABLE - TOP ENTRY	1
3	031786	LOCKWASHER	M 8 DIN 127	2
4	013630	CAPSCREW	M 8 X 25 DIN 933	2
5	031847	NUT	10-32	2
6	031849	LOCKWASHER	10	2
7	013870	SHIM	CABLE CLAMP	1
8	013325	CLAMP	CABLE	1
9	031873	SCREW	10-32 X 5/8 SS	2
10	033482	BALL JOINT	SHIFT CABLE	1
11	031752	LOCKWASHER	1/4	1
12	031754	NUT	1/4NF	1
13	032161	BRACKET	SHIFT CABLE - REAR ENTRY	1



WESTERBEKE 46 - 15.0 BTD - ELECTRICAL SYSTEM

REF	PN	NAME	REMARKS	QUAN
1-1	036478	HARNESS	ENGINE WIRING PROPULSION 12 WIRE	1
1-2	034576	HARNESS	ENGINE WIRING PROPULSION 8 WIRE	1
1-3	036463	HARNESS	ENGINE WIRING GENSET	1
2	024844	ADAPTER		1
3	011984	ELBOW	1/8NPT STREET 90	1
4	024132	SENDER	OIL PRESSURE	1
5-1	033935	SWITCH	OIL PRESSURE-PROP ALARM 12 WIRE HARNESS	1
5-2	034761	SWITCH	OIL PRESSURE-PROP ALARM 8 WIRE HARNESS	1
5-3	033348	SWITCH	OIL PRESSURE-GENSET	1
6	013355	BUZZER	PROP ALARM 8 WIRE HARNESS	1
7	030594	ALTERNATOR	50 AMP 12 VDC NEG GROUND	1
8		STRAP	ADJUSTING-SEE ALTERNATOR MOUNTING PAGE	1
9	013630	CAPSCREW	M 8 X 25 DIN 933	1
10	031786	LOCKWASHER	M 8 DIN 127	1
11	033381	WASHER	ADJUSTING STRAP	1
12	032015	BOLT	ALTERNATOR MOUNT	1
13	031787	WASHER	M 8 DIN 125	1
14	031786	LOCKWASHER	M 8 DIN 127	1
15	018242	NUT	M 8 DIN 934	1
16	035109	SENDER	WATER TEMPERATURE	1
17-1	030125	SWITCH	WATER TEMPERATURE-PROP ALARM	1
17-2	030096	SWITCH	WATER TEMPERATURE-GENSET	1
18-1	037515	BUSHING	REDUCER-PROPULSION SENDER & SWITCH	2
18-2	037515	BUSHING	REDUCER-GENSET SENDER	1
18-3	036699	BUSHING	REDUCER-GENSET SWITCH	1
19	024831	PUMP	ELECTRIC FUEL LIFT 12 VDC	1
20	034379	STRAP	GLOWPLUG CONNECTING	1
21	034380	GLOWPLUG	12 VDC	4
22	030593	MOTOR	STARTER 12 VDC	1
23	030245	SOLENOID	STARTER MOTOR	1
24	034189	SPACER	BRACKET TO CYLINDER HEAD	1
25	024683	BREAKER	CIRCUIT 20 AMP	1
26	034034	BRACKET	CIRCUIT BREAKER AND SOLENOID	1
27	024639	SOLENOID	PRE-HEAT 12 VDC	1
28	033280	WASHER	M16 SEALING	2
29	036563	BREAKER	CIRCUIT 10 AMP	1
30	032923	SWITCH	EXHAUST TEMPERATURE-GENSET	1
31	035711	SCREW	6-20 X 1/4 TAPPING	2
32	031844	LOCKWASHER	8	2
33	031911	SCREW	8-32 X 1/4	2

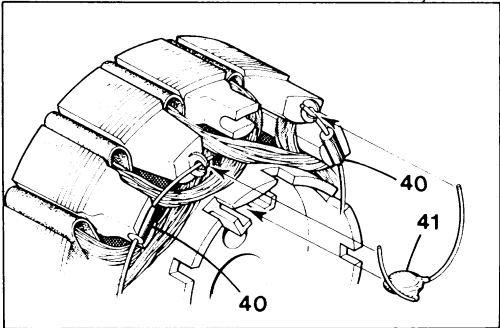
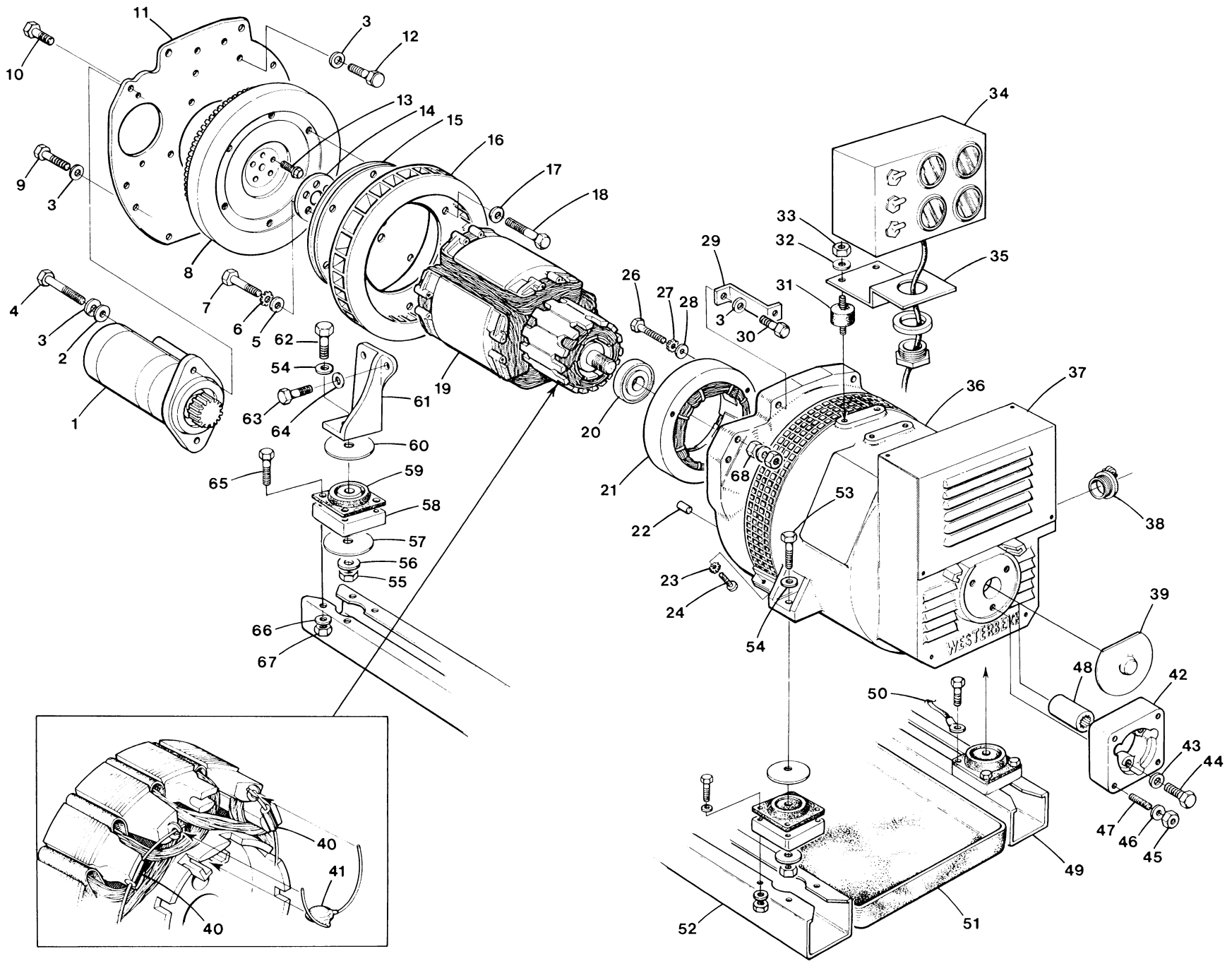
WESTERBEKE 46 - 15.0 BTD - ALTERNATOR MOUNTING AND BELTS



WESTERBEKE 46 - 15.0 BTD - ALTERNATOR MOUNTING AND BELTS

REF	PN	NAME	REMARKS	QUAN
1	033914	BRACKET	ALTERNATOR 50 AMP	1
2	030475	BELT	ALTERNATOR AND FRESH WATER PUMP	1
3	032015	BOLT	ALTERNATOR MOUNT	1
4	031792	LOCKWASHER	M12 DIN 127	2
5	033958	CAPSCREW	M12 X 30 DIN 933	2
6	030594	ALTERNATOR	50 AMP 12 VDC INTERNAL REGULATOR NEG GND	1
7-1	013630	CAPSCREW	M 8 X 25 DIN 933	1
7-2	031786	LOCKWASHER	M 8 DIN 127	1
7-3	033381	WASHER	ADJUSTING STRAP	1
8	034425	STRAP	ALTERNATOR ADJUSTING	1
9	034392	PULLEY	FRESH WATER PUMP 1 GROOVE	1
10-1	034352	PULLEY	CRANKSHAFT 1 GROOVE TO S/N 153548	1
10-2	037756	PULLEY	CRANKSHAFT 1 GROOVE FROM S/N 153549	1
11	034870	PULLEY	ACCESSORY 2 GROOVE 5-1/2" DIA	1
12	031787	WASHER	M 8 DIN 125	4
13	031786	LOCKWASHER	M 8 DIN 127	4
14	031462	CAPSCREW	M 8 X 35 DIN 931	4
15	035020	BELT	72-90 AMP ALTERNATOR	2
16	031764	LOCKWASHER	3/8	1
17	031615	CAPSCREW	3/8NC X 3-1/2	1
18	034864	BRACKET	72-90 AMP ALTERNATOR	1
19	034868	PULLEY	FRESH WATER PUMP 2 GROOVE	1
20	034876	PULLEY	72-90 AMP ALTERNATOR 2 GROOVE	1
21-1	030735	ALTERNATOR	90 AMP 12 VDC	1
21-2	034409	ALTERNATOR	72 AMP 12 VDC	1
22-1	031555	CAPSCREW	5/16NC X 1	1
22-2	031758	LOCKWASHER	5/16	1
22-3	033381	WASHER	ADJUSTING STRAP	1
23	034813	PULLEY	KIT	1
24	034755	PULLEY	ACCESSORY 2 GROOVE 6" DIA	1
25	018811	CAPSCREW	M 8 X 40 DIN 931	4
26	037761	STRAP	ADJUSTING	1
27	024955	CAPSCREW	M10 X 1.25 X 45 DIN 960	1
28	019262	LOCKWASHER	M10 DIN 127	1

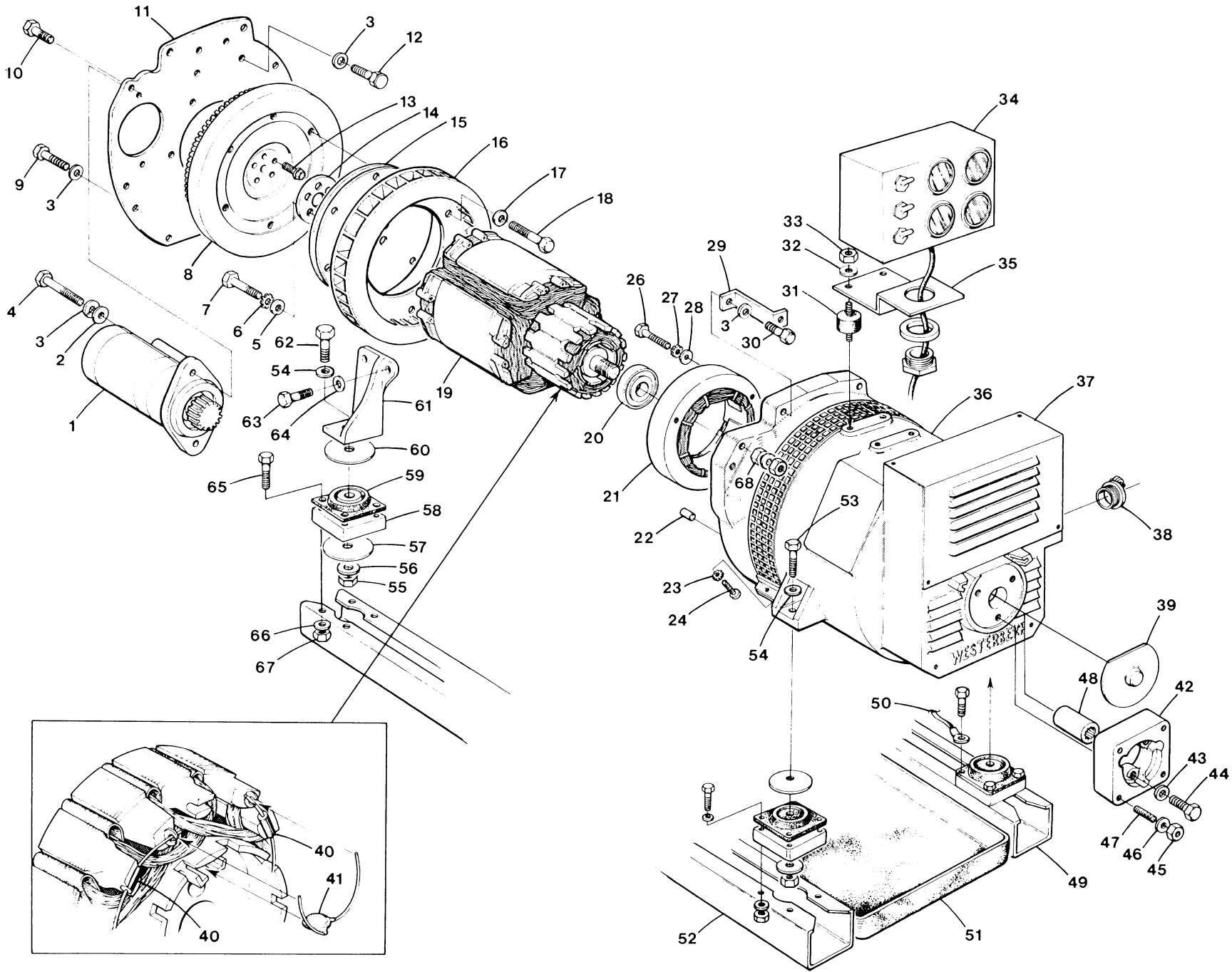
WESTERBEKE 15.0 BTD - BACK END - GENERATOR - MOUNTING SYSTEM



WESTERBEKE 15.0 BTD - BACK END - GENERATOR - MOUNTING SYSTEM

REF	PN	NAME	REMARKS	QUAN
1	030593	MOTOR	STARTER 12 VDC	1
2	031789	WASHER	M10 DIN 125	3
3	019262	LOCKWASHER	M10 DIN 127	11
4	034589	CAPSCREW	M10 X 30 DIN 933	2
5	031789	WASHER	M10 DIN 125	6
6	031915	LOCKWASHER	M10 DIN 6797A	6
7	013629	CAPSCREW	M10 X 25 DIN 933	6
8-1	036344	FLYWHEEL	INCLUDING RING GEAR	1
8-2	030230	GEAR	RING	1
9	013629	CAPSCREW	M10 X 25 DIN 933	5
10	038394	CAPSCREW	BATTERY GROUND	1
11-1	036083	BACKPLATE	TO MAY 89	1
11-2	038206	BACKPLATE	FROM MAY 89	1
12	013629	CAPSCREW	M10 X 25 DIN 933	7
13	033279	BOLT	FLYWHEEL	4
14	035928	PLATE	THRUST-DRIVE DISC TO ARMATURE	1
15	035927	PLATE	DRIVE DISC	3
16	035929	FAN		1
17	031835	LOCKWASHER	M 8 DIN 6797J	8
18	017196	CAPSCREW	M 8 X 20 DIN 933	8
19-1	037468	ARMATURE	1 PHASE	1
19-2	039342	ARMATURE	3 PHASE	1
20	037460	BEARING	BALL	1
21-1	037467	STATOR	EXCITER 1 PHASE	1
21-2	039340	STATOR	EXCITER 3 PHASE	1
22	019039	DOWEL	BACKPLATE TO HOUSING	2
23	031914	LOCKWASHER	M 5 DIN 6797A	1
24	031920	SCREW	M 5 DIN 84A	1
25	031935	GUARD	AIR	1
26	031919	CAPSCREW	M 5 X 35 DIN 912	3
27	031914	LOCKWASHER	M 5 DIN 6796A	3
28	031781	WASHER	M 5 DIN 125	3
29	036629	BRACKET	EXCHANGER SUPPORT	1
30	034590	CAPSCREW	M10 X 40 DIN 933	1
31	036652	ISOLATOR	PANEL MOUNTING	4
32	031783	LOCKWASHER	M 6 DIN 127	4
33	015812	NUT	M 6 DIN 934	4
34		PANEL	REFER TO PANEL PAGE	1
35	036465	BRACKET	PANEL MOUNTING INCLUDED IN REF 34	1
36-1	037430	GENERATOR	1 PHASE	1
36-2	037469	STATOR	INCLUDING HOUSING 1 PHASE	1
36-3	037470	STATOR	1 PHASE	1
36-4	039030	GENERATOR	3 PHASE	1
36-5	038465	STATOR	INCLUDING HOUSING 3 PHASE	1
36-6	038466	STATOR	3 PHASE	1
37	037851	COVER		1
38	036737	CONNECTOR		1

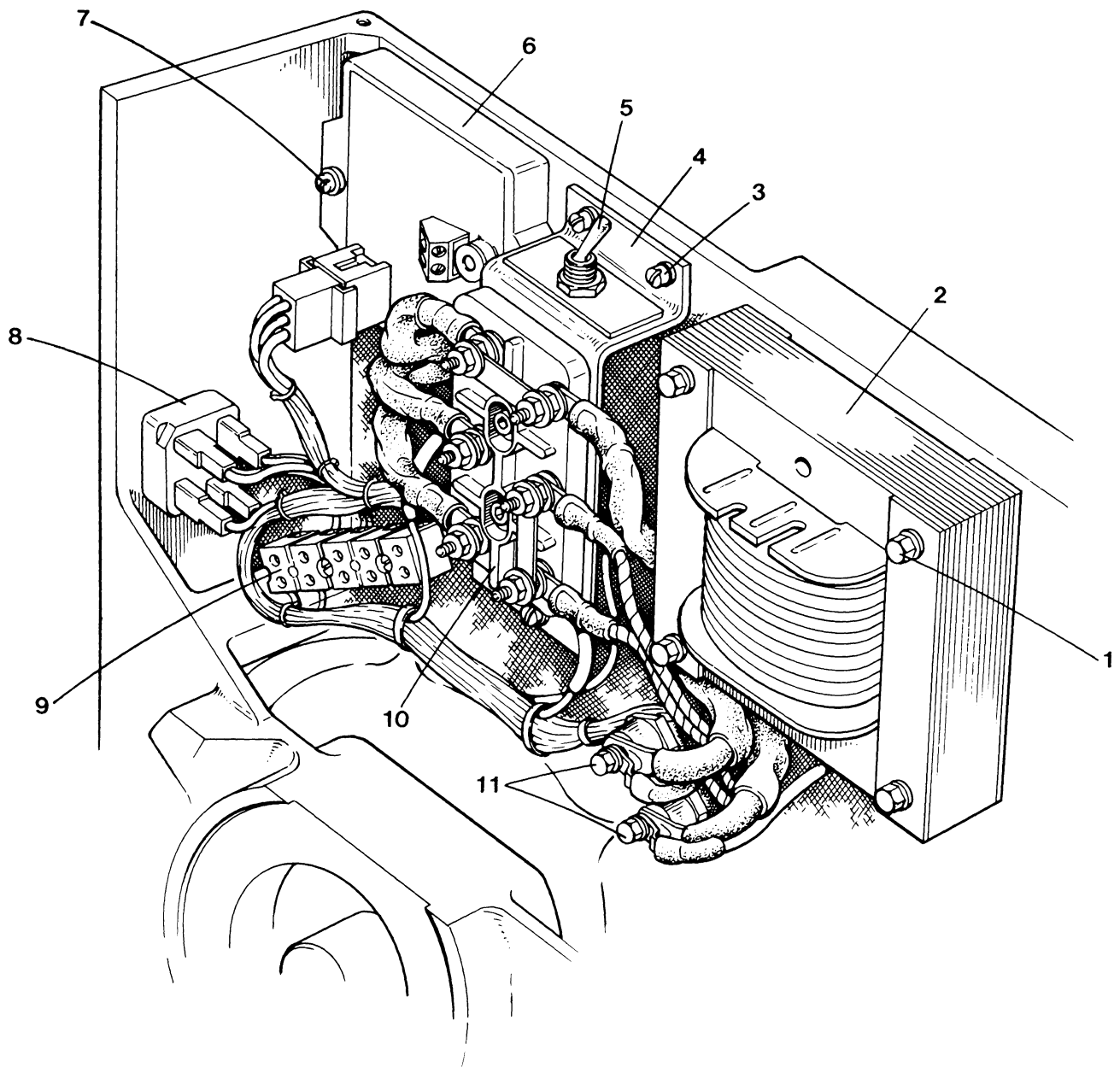
WESTERBEKE 15.0 BTD - BACK END - GENERATOR - MOUNTING SYSTEM



WESTERBEKE 15.0 BTD - BACK END - GENERATOR - MOUNTING SYSTEM

REF	PN	NAME	REMARKS	QUAN
39	036701	COVER	PTO INTERFACE	1
40	035943	RESISTOR	POSI	1
41	035931	DIODE		6
42-1	037134	KIT	PTO INCLUDING REF 42 THRU 48	1
42-2	037197	DRAWING	PTO INSTALLATION	1
42-3	034738	ADAPTER		1
43	031792	LOCKWASHER	M12 DIN 127	3
44	013589	CAPSCREW	M12 X 40 DIN 933	3
45	031774	NUT	1/2NC	4
46	031776	LOCKWASHER	1/2	4
47	034867	STUD	1/2NC	4
48	037188	DRIVE	PTO SAE-B SPLINE	1
49	036437	RAIL	ASSEMBLY-RIGHT	1
50	034593	STRAP	GROUND	1
51	037354	DRIPTRAY		1
52	036436	RAIL	ASSEMBLY-LEFT	1
53	031713	CAPSCREW	1/2NC X 3	2
54	031777	WASHER	FLAT 1/2	4
55	031774	NUT	1/2NC	4
56	031776	LOCKWASHER	1/2	4
57	024674	WASHER	SNUBBING	4
58	035271	SPACER	ISOLATOR TO RAIL	4
59	015238	ISOLATOR		4
60	033530	SHIELD	ISOLATOR	2
61-1	036096	MOUNT	FRONT LEFT	1
61-2	036092	MOUNT	FRONT RIGHT	1
62	031712	CAPSCREW	1/2NC X 2-3/4	2
63	033958	CAPSCREW	M12 X 30 DIN 933	4
64	031792	LOCKWASHER	M12 DIN 127	4
65	031557	CAPSCREW	5/16NC X 1-1/2	16
66	031758	LOCKWASHER	5/16	16
67	031756	NUT	5/16NC	16
68	015887	NUT	M10 DIN 934	2

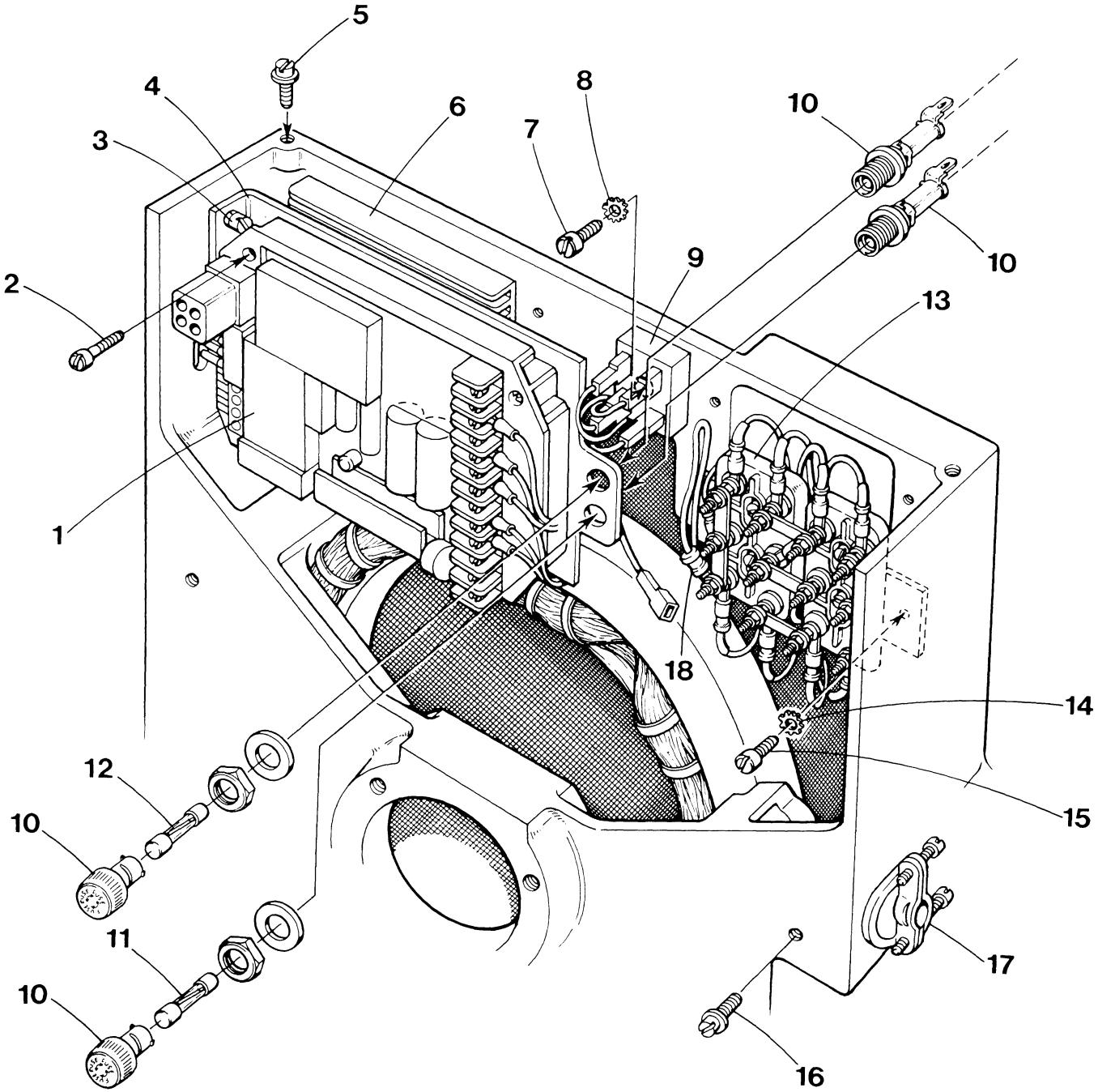
WESTERBEKE 15.0 BTD - AC OUTPUT AND REGULATOR 1 PHASE



WESTERBEKE 15.0 BTD - AC OUTPUT AND REGULATOR 1 PHASE

REF	PN	NAME	REMARKS	QUAN
1-1	031916	CAPSCREW	M 5 X 50 DIN 933	4
1-2	031914	LOCKWASHER	M 5 DIN 6797A	4
1-3	031781	WASHER	M 5 DIN 125	4
2	037463	TRANSFORMR	VOLTAGE REGULATION	1
3-1	031718	SCREW	M 5 X 10 DIN 84A	2
3-2	031914	LOCKWASHER	M 5 DIN 6797A	2
4	038345	BRACKET		1
5	038346	SWITCH	REGULATION SELECTION	1
6	034410	REGULATOR	ELECTRONIC VOLTAGE - OPTIONAL	1
7-1	031917	LOCKWASHER	M 4 DIN 6797A	2
7-2	031934	SCREW	M 4 X 20 DIN 84A	2
8-1	030809	RECTIFIER	BRIDGE	1
8-2	031931	SCREW	M 5 X 15 DIN 84A	1
8-3	031914	LOCKWASHER	M 5 DIN 6797A	1
9	038347	BLOCK	TERMINAL 5 POLE	1
10-1	038342	BLOCK	TERMINAL AC OUTPUT	1
10-2	038343	NUT	M 6 BRASS	AR
10-3	038344	BAR	BUSS	AR
11	035980	TERMINAL	INSULATED	2
12	036737	CONNECTOR	BOX 1-1/2 - AC OUTPUT LEADS	1
13	036702	LABEL	AC OUTPUT CONNECTIONS	1
14-1	038620	KIT	OPTIONAL AC OUTPUT CIRCUIT BREAKER 60HZ	1
14-2	038619	KIT	OPTIONAL AC OUTPUT CIRCUIT BREAKER 50HZ	1

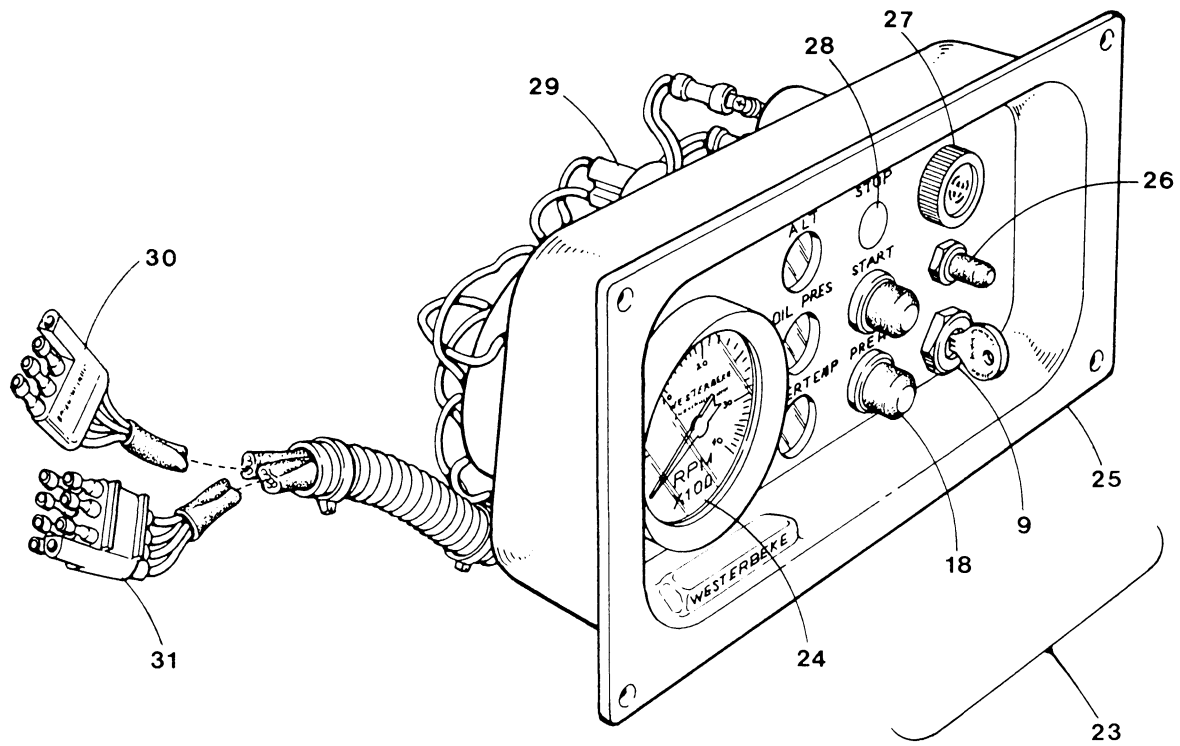
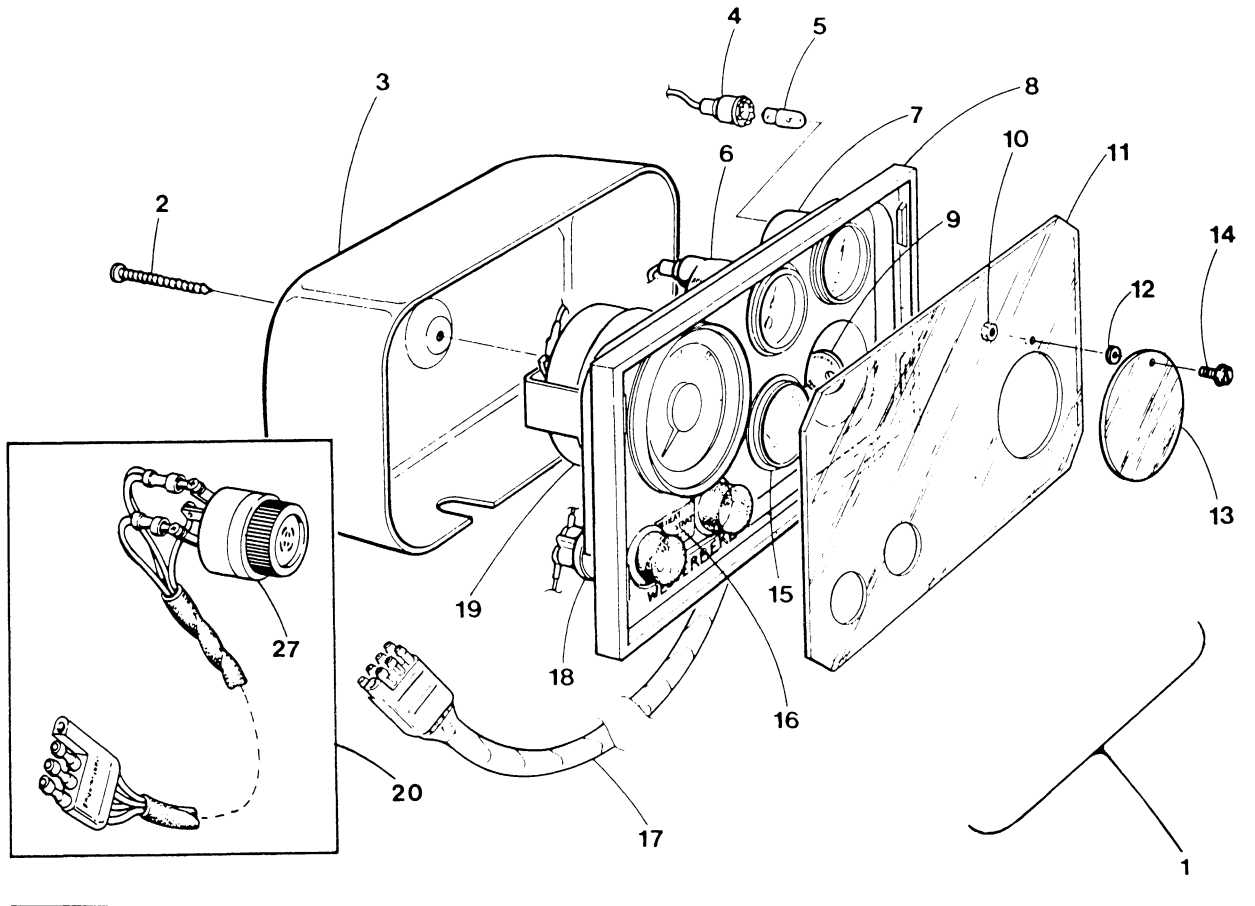
WESTERBEKE 15.0 BTD - AC OUTPUT AND REGULATOR 3 PHASE



WESTERBEKE 15.0 BTD - AC OUTPUT AND REGULATOR 3 PHASE

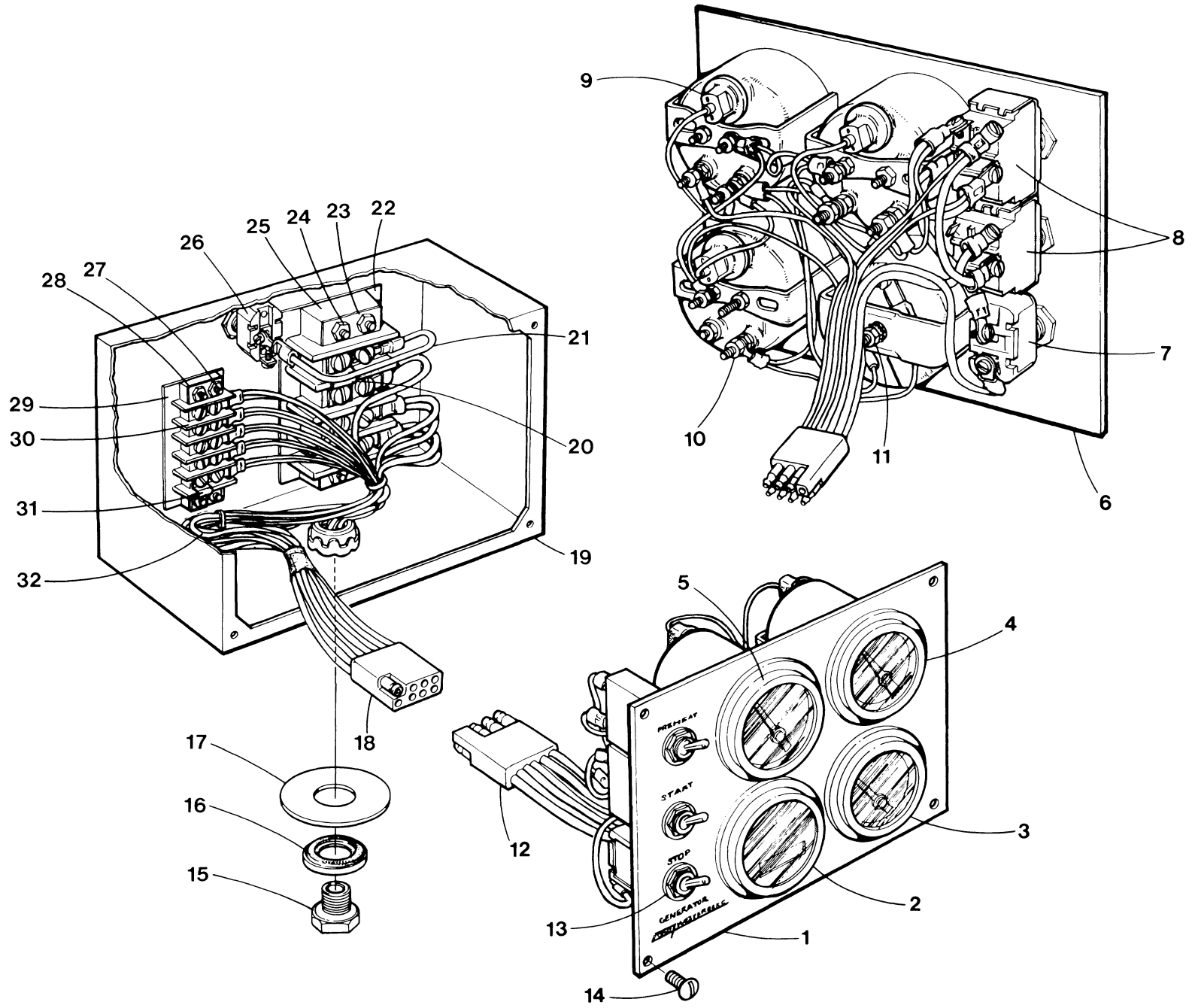
REF	PN	NAME	REMARKS	QUAN
1	038468	REGULATOR	ELECTRONIC VOLTAGE	1
2	031934	SCREW	M 4 X 20 DIN 84A	2
3	031718	SCREW	M 5 X 10 DIN 84A	2
4	038470	BRACKET	REGULATOR	1
5	031718	SCREW	M 5 X 10 DIN 84A	2
6	038469	CHARGER	BATTERY	1
7	031920	SCREW	M 5 X 20 DIN 84A	1
8	031914	LOCKWASHER	M 5 DIN 6797A	1
9	030809	RECTIFIER	BRIDGE	1
10	038472	HOLDER	FUSE	2
11	033769	FUSE	8 AMP	1
12	038471	FUSE	20 AMP	1
13-1	038464	BLOCK	TERMINAL AC OUTPUT	1
13-2	038348	NUT	M 5 BRASS	AR
13-3	038349	BAR	BUSS	AR
14	031914	LOCKWASHER	M 5 DIN 6797A	2
15	031920	SCREW	M 5 X 20 DIN 84A	2
16	015816	CAPSCREW	M 6 X 10 DIN 933	2
17	036737	CONNECTOR	BOX 1-1/2 AC OUTPUT LEADS	1
18	038676	LABEL	AC OUTPUT CONNECTIONS 3 PHASE	1

WESTERBEKE 46 - PROPULSION INSTRUMENT PANELS



WESTERBEKE 46 - PROPULSION INSTRUMENT PANELS

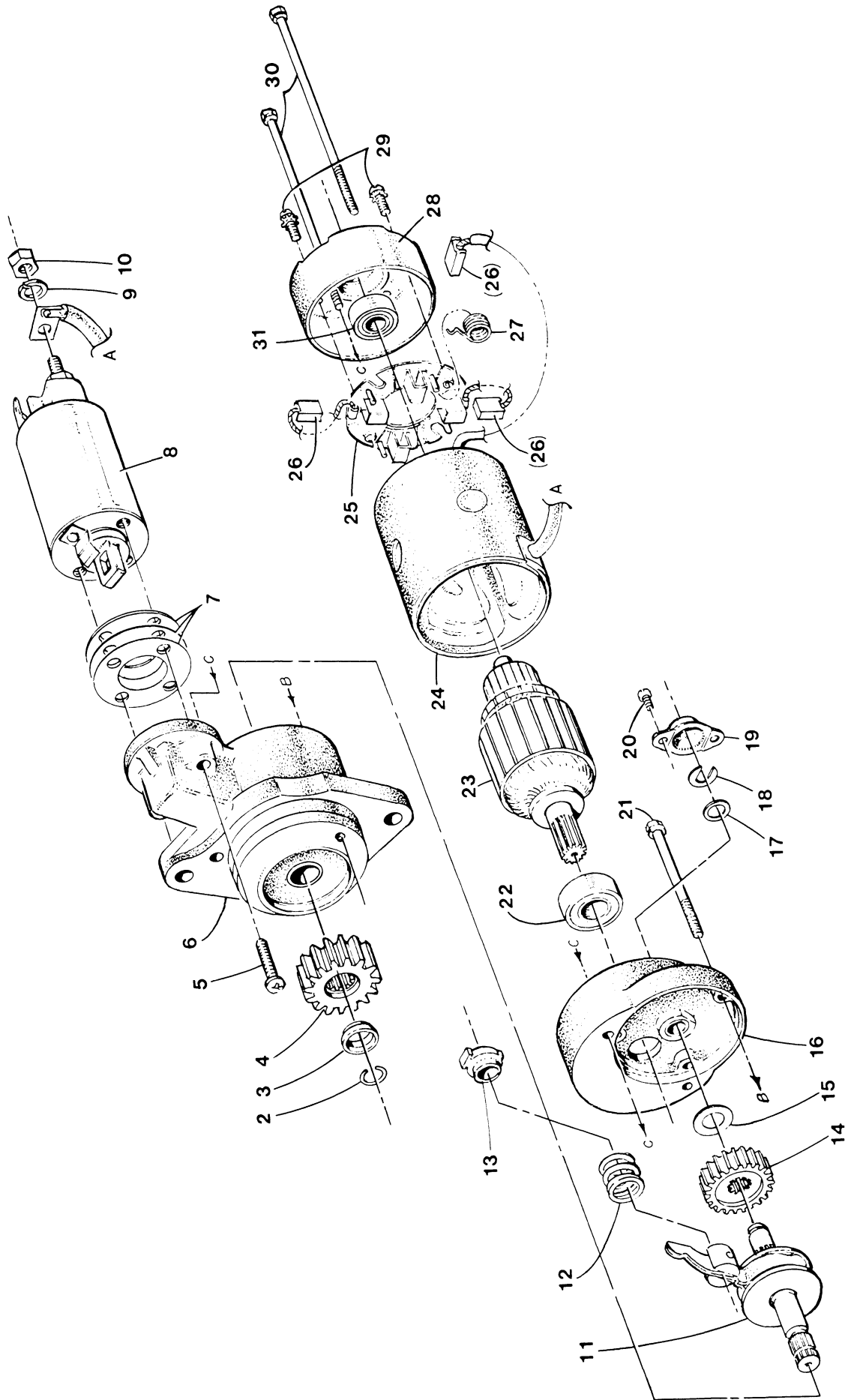
REF	PN	NAME	REMARKS	QUAN
1	036842	PANEL	ADMIRAL INCLUDING ALARM	1
2	030913	SCREW		1
3	030119	COVER	PANEL REAR	1
4	035118	HOLDER	LAMP WEDGE BASE	3
5	035114	LAMP	INSTRUMENT 12VDC WEDGE BASE	3
6	037601	METER	WATER TEMPERATURE	1
7	037603	METER	OIL PRESSURE 100 PSI	1
8	033865	PANEL	PLATE	1
9	033693	KEYSWITCH	OFF-ON	1
10	030003	NUT	NYLON LOCKING 6-32	1
11	033684	COVER	FACEPLATE	1
12	030002	SPACER	NYLON	1
13	024996	WINDOW	KEYSWITCH COVER	1
14	030001	SCREW	NYLON 6-32 X 1/2 WASHER HEAD	1
15	037605	VOLTMETER	12VDC	1
16	033682	DECAL	SWITCH IDENTIFICATION	1
17	030148	CABLE	PANEL TO ENGINE 8 PIN	1
18-1	033764	SWITCH	PUSHBUTTON START/PREHEAT	2
18-2	019031	CAP	SWITCH COVER REPLACEMENT	2
19	011917	METER	TACHOMETER-HOUR	1
20	036829	ALARM	ASSEMBLY	1
21	035825	WIRE	POWER TO METER LAMPS	3
22	036844	DIAGRAM	WIRING ENGINE WITH ADMIRAL PANEL	1
23	036473	PANEL	CAPTAIN	1
24	036590	METER	TACHOMETER	1
25	036043	PANEL	PLATE	1
26-1	036479	SWITCH	TEST	1
26-2	036490	CAP	SWITCH	1
27	013355	BUZZER	ALARM	1
28	030946	PLUG	NYLON	1
29-1	024947	LAMP	12VDC	3
29-2	036483	HOLDER	LAMP	3
30	036626	HARNESS	PANEL TO ENGINE 4 PIN	1
31	036627	HARNESS	PANEL TO ENGINE 8 PIN	1
32	036477	ASSEMBLY	TERMINAL-DIODE	1
33	036544	SPACER	TERMINAL-DIODE ASSEMBLY	2
34	036545	SCREW	6-32 X 3/4 TAPPING SS	2
35	036467	DIAGRAM	WIRING ENGINE WITH CAPTAIN PANEL	1
36	036630	DRAWING	TEMPLATE TO INSTALL EITHER PANEL	1



WESTERBEKE 15.0 BTD - GENERATOR CONTROL PANEL

REF	PN	NAME	REMARKS	QUAN
1	036539	PANEL	GENERATOR CONTROL REF 2 THRU 13	1
2	036192	HOURLMETER		1
3	037605	VOLTMETER	12VDC	1
4	037603	METER	OIL PRESSURE 100 PSI	1
5	037601	METER	WATER TEMPERATURE	1
6-1	034485	PLATE	PANEL	1
6-2	035303	COVER	BOX WHEN PANEL IS REMOTE MOUNTED	1
7	024731	SWITCH	STOP	1
8	024732	SWITCH	PREHEAT-STOP	2
9-1	035114	LAMP	INSTRUMENT WEDGE BASE 12VDC	3
9-2	035118	HOLDER	LAMP WEDGE BASE	3
9-3	035825	WIRE	LAMP POWER CONNECTION	3
10-1	031900	NUT	10-32	AR
10-2	031902	LOCKWASHER	10	AR
11	031904	NUT	10-24 KEPS	1
12	036538	HARNESS	PANEL	1
13	031999	RING	TOGGLE SWITCH MOUNT LOCKING	3
14	034421	SCREW	8-32 X 3/8 TRUSS HEAD BLACK SS	4
15	036464	NIPPLE	CHASE WITH BUSHING	1
16	036492	RING	SEALING	1
17	036837	WASHER	REDUCER	1
18	036463	HARNESS	ENGINE	1
19-1	036480	ASSEMBLY	BOX AND HARNESS	1
19-2	036466	BOX	GENERATOR CONTROL PANEL	1
20	013938	JUMPER	TERMINAL BLOCK	1
21	036698	WIRE	STOP SWITCH TO TERMINAL BLOCK	1
22	013363	MARKER	TERMINAL BLOCK	1
23	013856	PLATE	SCREW-TERMINAL BLOCK	2
24-1	031866	SCREW	8-32 X 7/8 BINDING HEAD SS	4
24-2	031842	NUT	8-32 HEX SS	4
24-3	031843	WASHER	FLAT 8	4
24-4	031844	LOCKWASHER	8	4
25	013320	BLOCK	TERMINAL	1
26-1	033259	SWITCH	EMERGENCY STOP	1
26-2	033258	BOOT	EMERGENCY STOP SWITCH	1
26-3	033251	LABEL	EMERGENCY STOP SWITCH	1
27-1	031855	SCREW	6-32 X 5/8 BINDING HEAD SS	4
27-2	031837	NUT	6-32 HEX SS	4
27-3	031838	WASHER	FLAT 6	4
27-4	031839	LOCKWASHER	6	4
28	015222	PLATE	SCREW-TERMINAL BLOCK	2
29	019122	MARKER	TERMINAL BLOCK	1
30	019121	BLOCK	TERMINAL	1
32	036232	HARNESS	PANEL BOX	1
33	024968	LABEL	GENSET OPERATION	1

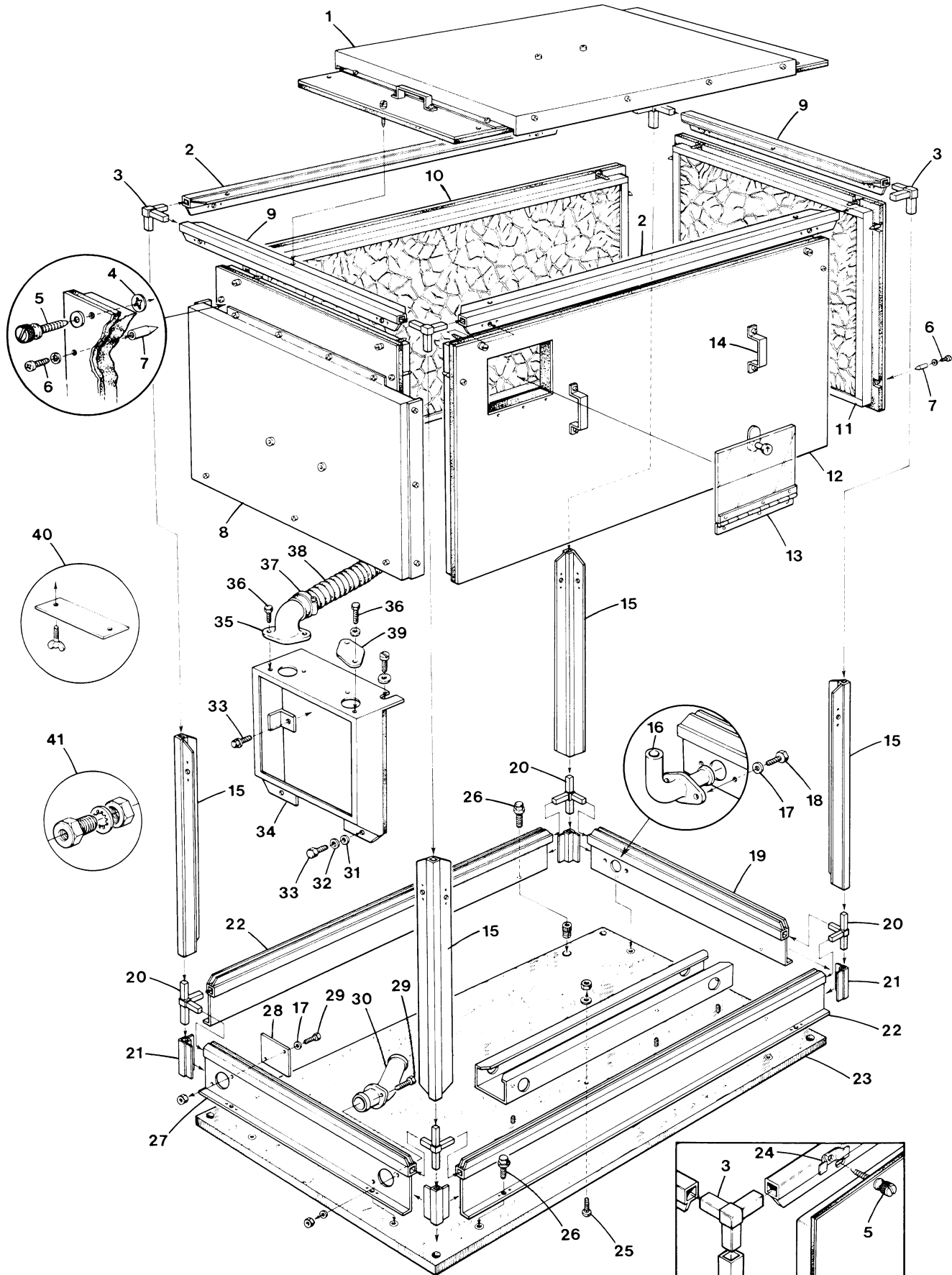
WESTERBEKE 46 - 15.0 BTD - STARTER MOTOR



WESTERBEKE 46 - 15.0 BTD - STARTER MOTOR

REF	PN	NAME	REMARKS	QUAN
1	030593	MOTOR	STARTER 12VDC	1
2		RING	RETAINING SEE REF 3	1
3	030261	RETAINER	INCLUDING REF 2	1
4	030700	PINION	INCLUDING REF 2 AND 3	1
5	030263	SCREW SET	INCLUDING REF 29	1
6		BRACKET	FRONT	1
7		SHIMS	SOLENOID SEE REF 8	AR
8	030245	SOLENOID	INCLUDING REF 7	1
9	031786	LOCKWASHER	M 8 DIN 127	2
10	018242	NUT	M 8 DIN 934	2
11	030265	SHAFT	ASSEMBLY	1
12		SPRING		1
13		RETAINER		1
14	030695	GEAR		1
15		WASHER	SEE REF 19	1
16		BRACKET	CENTER	1
17		WASHER	SEE REF 19	1
18		CLIP	SEE REF 19	1
19	030696	COVER	INCLUDING REF 15,17,18,20	1
20		SCREW	SEE REF 19	2
21	030692	CAPSCREW	M 5 X 73	1
22	031305	BEARING	ARMATURE	1
23		ARMATURE	INCLUDING BEARINGS	1
24		HOUSING	YOKE ASSEMBLY	1
25	030262	HOLDER	BRUSH ASSEMBLY INCL REF 26 AND 27	1
26		BRUSH	SEE REF 25	4
27	030246	SPRING	BRUSH	1
28	030697	HOUSING	REAR	1
29		SCREW	SEE REF 5	2
30		CAPSCREW		2
31	031306	BEARING	ARMATURE	1

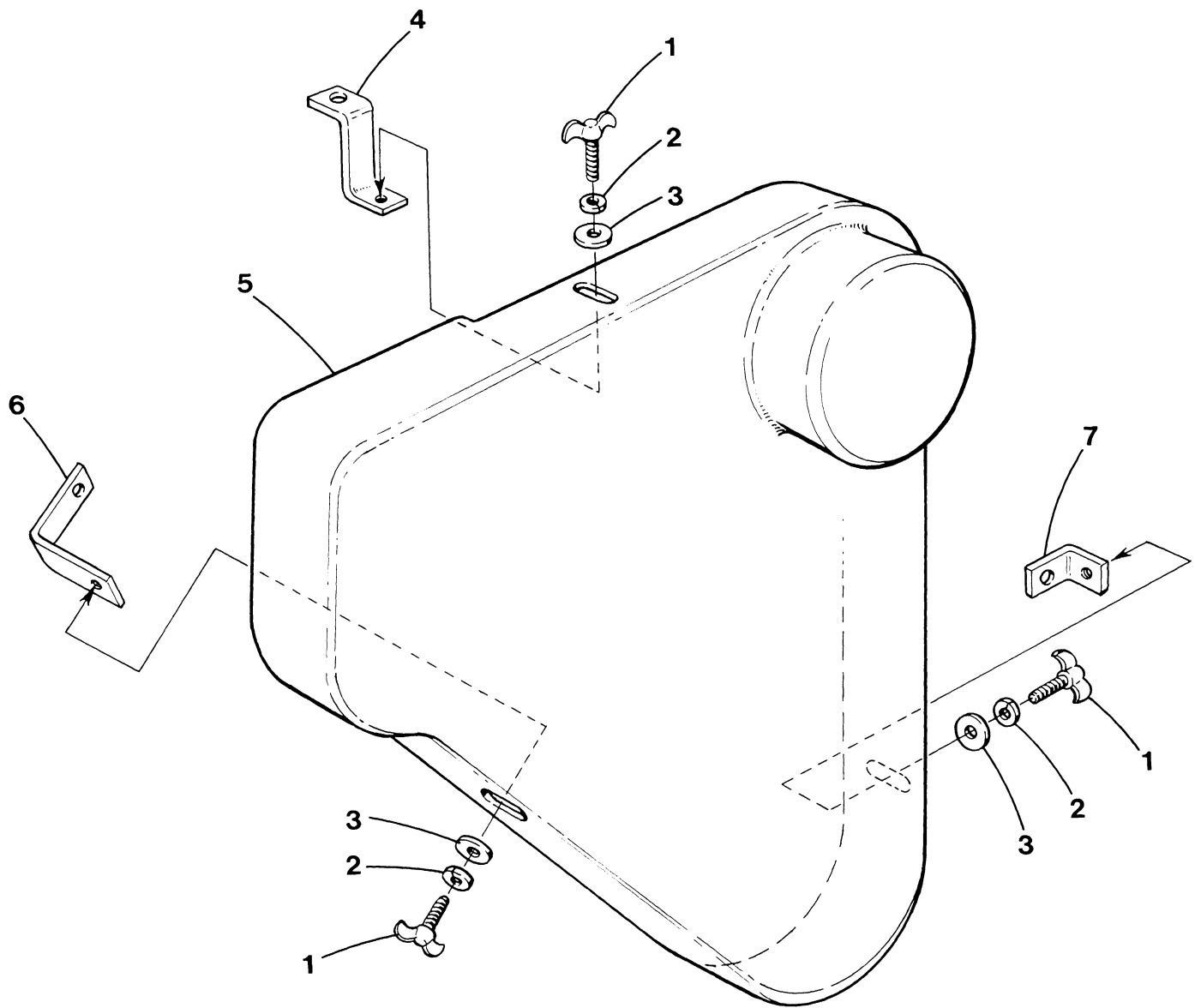
WESTERBEKE 15.0 BTD - GENERATOR SOUND GUARD



WESTERBEKE 15.0 BTD - GENERATOR SOUND GUARD

REF	PN	NAME	REMARKS	QUAN
1		PANEL	TOP	1
2	036676	RAIL	SIDE	2
3	024057	CORNER		4
4	030896	RETAINER	QUICK OPENING SCREW	AR
5	030895	SCREW	QUICK OPENING	AR
6	031940	SCREW	6-32 X 3/8 SEMS PHIL HD	AR
7	030775	GUIDE	PANEL ALIGNMENT	AR
8		PANEL	REAR	1
9	036678	RAIL	END	2
10		PANEL	SIDE	1
11		PANEL	FRONT	1
12		PANEL	SIDE WITH WINDOW	1
13	037417	WINDOW	ASSEMBLY	1
14-1	035720	HANDLE		AR
14-2	031937	SCREW	8-32 X 3/8 SEMS PHIL HD	AR
15	037392	POST	CORNER	4
16	036624	ELBOW	SEA WATER INLET	1
17	031752	LOCKWASHER	1/4	AR
18	031502	CAPSCREW	1/4NC X 5/8	2
19	036674	SKIRT	FRONT	1
20	024058	CORNER		4
21	030880	CLOSURE	SKIRT CORNER	4
22	036675	SKIRT	SIDE	2
23		BASE		1
24-1	030897	RECEPTACLE	QUICK OPENING SCREW	AR
24-2	030898	RIVET		AR
25	015683	BOLT	CARRIAGE 3/8NC X 1	6
26	031526	CAPSCREW	1/4NF	8
27	037389	SKIRT	REAR	1
28	037388	COVER	UNUSED EXHAUST PORT	1
29	031503	CAPSCREW	1/4NC X 3/4	4
30	036744	ELBOW	EXHAUST	1
31	031784	WASHER	M 6 DIN 125	4
32	031783	LOCKWASHER	M 6 DIN 127	4
33	017012	CAPSCREW	M 6 X 16 DIN 933	4
34	036669	PLENUM	AIR INTAKE	1
35	032590	ELBOW	AIR DUCT	1
36	031937	SCREW	8-32 X 3/8 SEMS PHIL HD	4
37	022559	CLAMP	HOSE 40	2
38	031902	HOSE	AIR INTAKE INCHES REQUIRED	21
39	036672	COVER	UNUSED AIR DUCT HOLE	1
40	037298	COVER KIT	BOTTOM OF GENSET VENT	1
41	023991	ADAPTER	FUEL LINES THRU SKIRT	2

WESTERBEKE 15.0 BTD - GENERATOR BELT GUARD



WESTERBEKE 15.0 BTD - GENERATOR BELT GUARD

REF	PN	NAME	REMARKS	QUAN
1	033228	WINGSCREW	10-32 X 1/2	3
2	031849	LOCKWASHER	10	3
3	033372	WASHER	FLAT	3
4	036420	BRACKET	BELT GUARD	1
5	036403	GUARD	BELT	1
6	035328	BRACKET	BELT GUARD	1
7	036600	BRACKET	BELT GUARD	1

WESTERBEKE 46 - 15.0 BTD - MISCELLANEOUS

REF	PN	NAME	REMARKS	QUAN
1-1	034444	KIT A	SPARE PARTS	1
1-2	034445	KIT B	SPARE PARTS EXTENDED CRUISING	1
2-1	034443	GASKET SET	UPPER	1
2-2	034442	GASKET SET	COMPLETE	1
3	034441	KIT	FUEL HARDWARE	1
4	024177	KIT	REMOTE FRESH WATER SURGE TANK	1
5	013758	PAINT	RED AEROSOL SPRAY CAN	1
6	032149	FILTER KIT	REMOTE LUBE OIL	1
7	020654	SPLITTER	ALTERNATOR OUTPUT	1
8-1	030760	HARNESS	15 FOOT EXTENSION 8 PIN	1
8-2	036557	HARNESS	15 FOOT EXTENSION 4 PIN	1
9	034908	PARTS LIST		1
10	034907	MANUAL	TECHNICAL	1
11-1	034468	MANUAL	OPERATOR W46 PROPULSION	1
11-2	036856	MANUAL	OPERATOR 15.0 BTD GENSET	1
12	032974	FILTER	SEDIMENTER/WATER TRAP	1
13-1	033685	DIAGRAM	PROPULSION WIRING 8 PIN HARNESS	1
13-2	036467	DIAGRAM	PROPULSION WIRING 12 PIN CAPTAIN PANEL	1
13-3	036844	DIAGRAM	PROPULSION WIRING 12 PIN ADMIRAL PANEL	1
13-4	036411	DIAGRAM	GENSET WIRING	1
14	034936	MUFFLER	HYDRO-HUSH C	1
15-1	033340	ADAPTER	HOSE TO MUFFLER STRAIGHT	AR
15-2	033341	ADAPTER	HOSE TO MUFFLER 45 DEGREE	AR
15-3	033342	ADAPTER	HOSE TO MUFFLER 90 DEGREE	AR
16	033943	COUPLING	RUBBER	AR
17	033327	VALVE	ANTI-SIPHON VENT	1
18	012169	LINE	FLEX EXHAUST 1.5NPT X 12 STAINLESS	1
19	015010	STRAINER	SEA WATER	1
20-1	032009	SWITCH	GENERATOR SHIP-SHORE 3 WIRE	1
20-2	032010	SWITCH	GENERATOR SHIP-SHORE 2 WIRE	1

